

Katalog náhradních dílů  
pro průmyslový šicí stroj

GARUDAN<sup>®</sup>

CT(D)9000 serie  
odstříhy



ANITA B, s.r.o.

Průmyslová 2453/7

680 01 Boskovice

Czech Republic

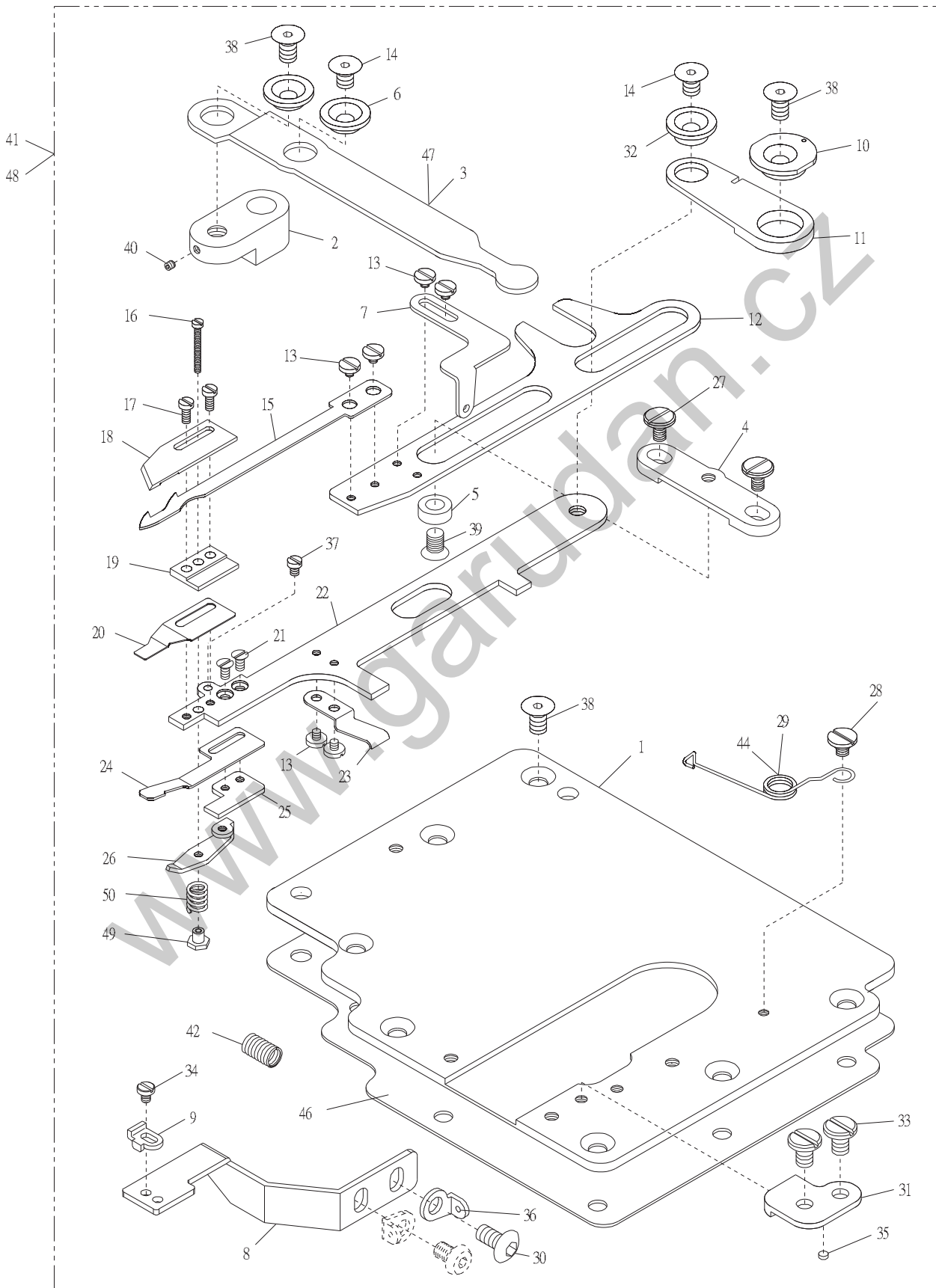
tel: +420 516 454 774

+420 516 453 496

fax: +420 516 452 751

e-mail: [info@anita.cz](mailto:info@anita.cz)

1. UTB02/UTB02F/UTB03/UTB03F/UTB04/UTB05/UTC03/UTC03F/UTC04/ UTC04F/UTG02/UTG02F/  
 UTG03/UTG03F/UTH02/UTH02F/UTH03/UTH03F 下切線機構 Under Trimmer Components



1. UTB02/UTB02F/UTB03/UTB03F/UTB04/UTB05/UTC03/UTC03F/UTC04/ UTC04F/UTG02/UTG02F/  
 UTG03/UTG03F/UTH02/UTH02F/UTH03/UTH03F 下切線機構 Under Trimmer Components

序號	物料編號	名稱	單位用量
Ref. No.	Parts Number	Description	Amt. Req.
1	4UTB0201011	下軸內蓋 Crank Chamber Cover -----	1
2	4UTB020102	連結塊 Connecting Block-----	1
3	4UTB020103	驅動臂 Driving Lever-----	1
4	4UTB020104	固定座 Bracket Holder-----	1
5	4UTB020105	隔環 Spacer -----	1
6	4UTB020106	隔環 Spacer -----	2
7	4UTB0201071	導線 Thread Guide Eyelet -----	1
8	4UTB0201081	下刀托架 Lower Knife Carrier Guide -----	1
9	4UTB020109	下刀定位塊 Knock Block -----	1
10	4UTB000110	調整隔環 Adjusting Ring -----	1
11	4UTB010111	擺動臂 Lever -----	1
12	4UTB010112	活動刀座 Lower Knife Carrier -----	1
13	8MB75180205A	螺絲 Screw (UTB0113 M2.5-0.45*2) -----	6
14	8MQ04280608A	螺絲 Screw (UTB0107 M4-0.7*6) -----	2
15	4UTB000115	活動刀片 Lower Movable Knife -----	1
16	8MB02161504E	螺絲 Screw (UTB020116 M2-0.4*14.8) -----	1
17	8MB02160505A	螺絲 Screw (UTB0117 M2-0.4*4) -----	2
18	4UTB000118	固定刀片 Lower Fixed Knife -----	1
19	4UTB000119	滑道 Lower Movable Knife Guide -----	1
20	4UTB000120	簧片 Clamp Spring -----	1
21	8ME02160404A	螺絲 Screw (CT12-15 M2-0.4*3) -----	2
22	4UTB010122	固定刀座 Lower Knife Holder -----	1
23	4UTB000123	夾簧 Supplementary Spring -----	1
24	4UTB000124	簧片 Knife Pressure Spring -----	1
25	4UTB000125	墊片 Clamp Spring Pressure Holder -----	1
26	4UTB010126	簧壓調整片 Clamp Spring Adjusting Piece -----	1
27	8MB04280508A	螺絲 Screw (UTB20127 M4-0.7*5.5) -----	2
28	8MB03200407G	螺樁 Stud (UTB0128 M3-0.5*2) -----	1
29	4UTB000129	彈簧 Spring -----	1
30	8MP04280808A	螺絲 Screw (MT0235 M4-0.7*8) -----	1
31	4UTB000131	定位塊 Upper Knife Carrier Guide -----	1
32	4UTB000108	隔環 Spacer -----	1
33	8MB85240407A	螺絲 Screw (FT0538 M3.5-0.6*4) -----	2
34	8MB03200306A	螺絲 Screw (UTB0436 M3-0.5*3) -----	1
35	4UTB000135	減震墊 Rubber Cushion -----	1
36	2270000319	導線 Thread Guide -----	1
37	8MB02160304A	螺絲 Screw (UTB0137 M2-0.4*3) -----	1
38	8MQ04280808A	螺絲 Screw (UTB0109 M4-0.7*8) -----	9
39	8ME04280507A	螺絲 Screw (UTB020139 M4-0.7*4) -----	1
40	8MN03200300A	螺絲 Screw (CT0115 M3-0.5*3) -----	1
41	4UTB02A0141	下切線組 Under Trimmer Components -----	1
42	4UTB010141	彈簧 Spring -----	1
43	-----	-----	-
**44	4UTB010143	彈簧 Spring -----	1
45	-----	-----	-
46	4UTB020146	防油墊片 Gasket -----	1
**47	4UTC020117	驅動臂 Driving Lever-----	1
**48	4UTC02A0118	下切線組 Under Trimmer Components -----	1
49	4UTB020149	螺帽 Nut -----	1
50	4UTB020150	彈簧 Spring -----	1

\* 用於氣動式切線裝置 Pneumatic Type

\*\* 用於電動式切線裝置 Electric Type

UTB02 / UTC04 : 用於 CT9000 機型

UTB02F / UTC04F : 用於 CTF9011 機型

UTB03 / UTC03 : 用於 CTD9000 機型

UTB03F / UTC03F : 用於 CTU9011 機型

UTB04 : 用於 CT9060 機型

UTB05 : 用於 CTD9060 機型

UTG02 : 用於 CT9311 / CT9085 機型 (3 顆換向閥)

UTG02F : 用於 CTF9311 機型 (3 顆換向閥)

UTG03 : 用於 CTD9311 / CTD9085 機型 (3 顆換向閥)

UTG03F : 用於 CTU9311 機型 (3 顆換向閥)

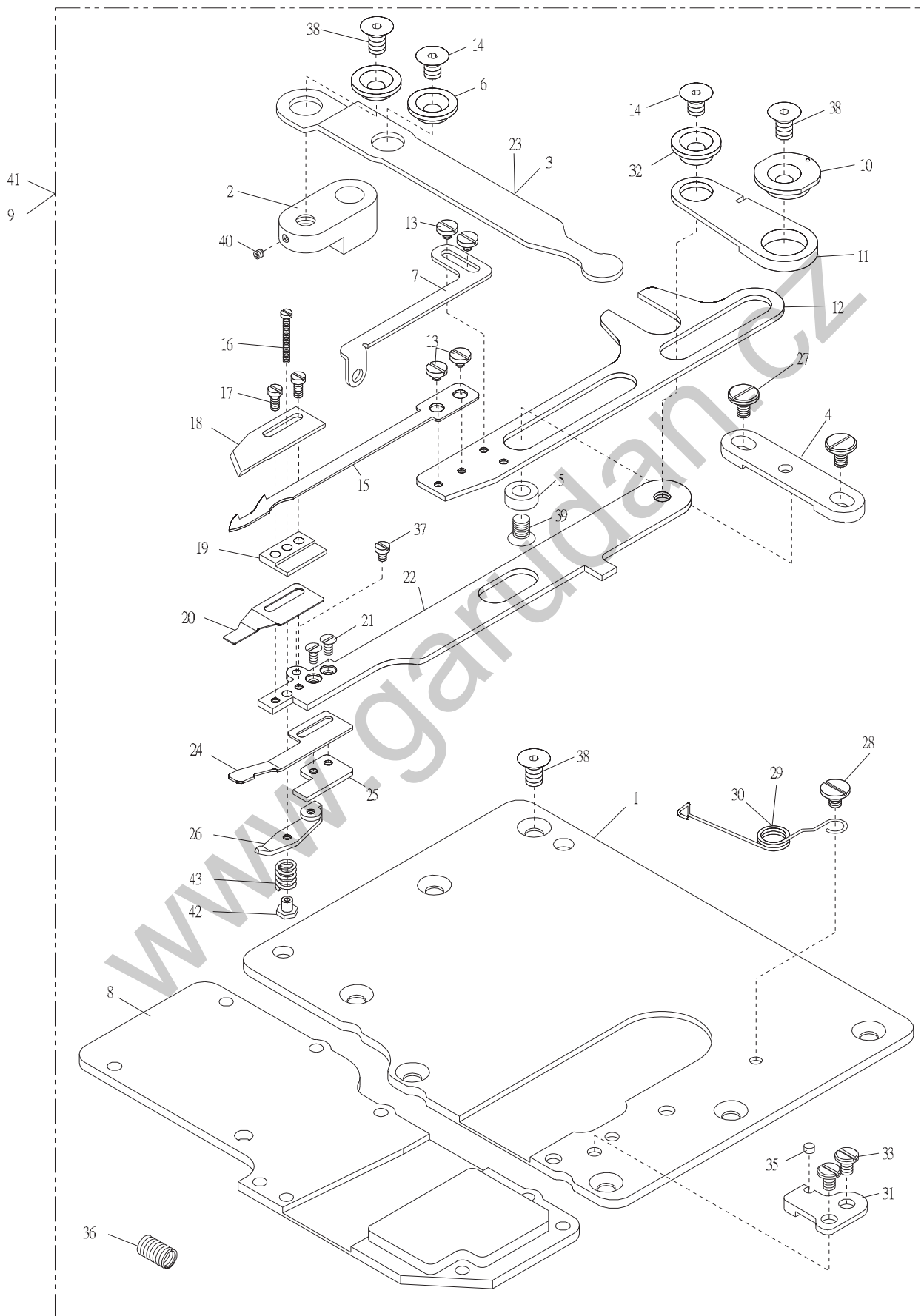
UTH02 : 用於 CT9000 機型 (3 顆換向閥)

UTH02F : 用於 CTF9011 機型 (3 顆換向閥)

UTH03 : 用於 CTD9011 機型 (3 顆換向閥)

UTH03F : 用於 CTU9011 機型 (3 顆換向閥)

2. UTB06 / UTB06B / UTB06F / UTB07 / UTB07B / UTB07F / UTC06 / UTC06F / UTC07 / UTC07F  
下切線機構 Under Trimmer Components



2. UTB06 / UTB06B / UTB06F / UTB07 / UTB07B / UTB07F / UTC06 / UTC06F / UTC07 / UTC07F

下切線機構 Under Trimmer Components

序號	物料編號	名稱	單位用量
Ref. No.	Parts Number	Description	Amt. Req.
1	4UTB060101	下軸內蓋 Crank Chamber Cover -----	1
2	4UTB020102	連結塊 Connecting Block-----	1
*3	4UTB020103	驅動臂 Driving Lever-----	1
4	4UTB060104	固定座 Bracket Holder-----	1
5	4UTB020105	隔環 Spacer -----	1
6	4UTB020106	隔環 Spacer -----	2
7	4UTB060107	導線 Thread Guide Eyelet -----	1
8	4UTB060108	封蓋 Rear Cover -----	1
**9	4UTC06A0109	下切線組 Under Trimmer Components -----	1
10	4UTB000110	調整隔環 Adjusting Ring -----	1
11	4UTB010111	擺動臂 Lever -----	1
12	4UTB010112	活動刀座 Lower Knife Carrier -----	1
13	8MB75180205A	螺絲 Screw (UTB0113 M2.5-0.45*2) -----	4
14	8MQ04280608A	螺絲 Screw (UTB0107 M4-0.7*6) -----	2
15	4UTB000115	活動刀片 Lower Movable Knife -----	1
16	8MB02161504A	螺絲 Screw (UTB020116 M2-0.4*14.8) -----	1
17	8MB02160505A	螺絲 Screw (UTB0117 M2-0.4*4) -----	2
18	4UTB000118	固定刀片 Lower Fixed Knife -----	1
19	4UTB000119	滑道 Lower Movable Knife Guide -----	1
20	4UTB000120	簧片 Clamp Spring -----	1
21	8ME02160404A	螺絲 Screw (CT12-15 M2-0.4*3) -----	2
22	4UTB060122	固定刀座 Lower Knife Holder -----	1
**23	4UTC020117	驅動臂 Driving Lever-----	1
24	4UTB000124	簧片 Knife Pressure Spring -----	1
25	4UTB000125	墊片 Clamp Spring Pressure Holder -----	1
26	4UTB010126	簧壓調整片 Clamp Spring Adjusting Piece -----	1
27	8MB04280508A	螺絲 Screw (UTB20127 M4-0.7*5.5) -----	2
28	8MB03200407G	螺樁 Stud (UTB0128 M3-0.5*2) -----	1
*29	4UTB000129	彈簧 Spring -----	1
**30	4UTB010143	彈簧 Spring -----	1
31	4UTB060131	定位塊 Upper Knife Carrier Guide -----	1
32	4UTB000108	隔環 Spacer -----	1
33	8MB85240407A	螺絲 Screw (FT0538 M3.5-0.6*4) -----	2
34	4UTB0101421	彈簧 Spring -----	1
35	4UTB000135	減震墊 Rubber Cushion -----	1
36	4UTB010141	彈簧 Spring -----	1
37	8MB02160304A	螺絲 Screw (UTB0137 M2-0.4*3) -----	1
38	8MQ04280808A	螺絲 Screw (UTB0109 M4-0.7*8) -----	9
39	8ME04280507A	螺絲 Screw (UTB020139 M4-0.7*4) -----	1
40	8MN03200300A	螺絲 Screw (CT0115 M3-0.5*3) -----	1
*41	4UTB06A0141	下切線組 Under Trimmer Components -----	1
42	4UTB020149	螺帽 Nut -----	1
43	4UTB020150	彈簧 Spring -----	1

\* 用於氣動式切線裝置 Pneumatic Type ( UTB06 / UTB06B / UTB06F / UTB07 / UTB07B)

\*\* 用於電動式切線裝置 Electric Type ( UTC06 / UTC06F / UTC07 / UTC07F )

UTB06 / UTC06 : 用於 CT9611 機型

UTB06B : 用於 CT9660 機型

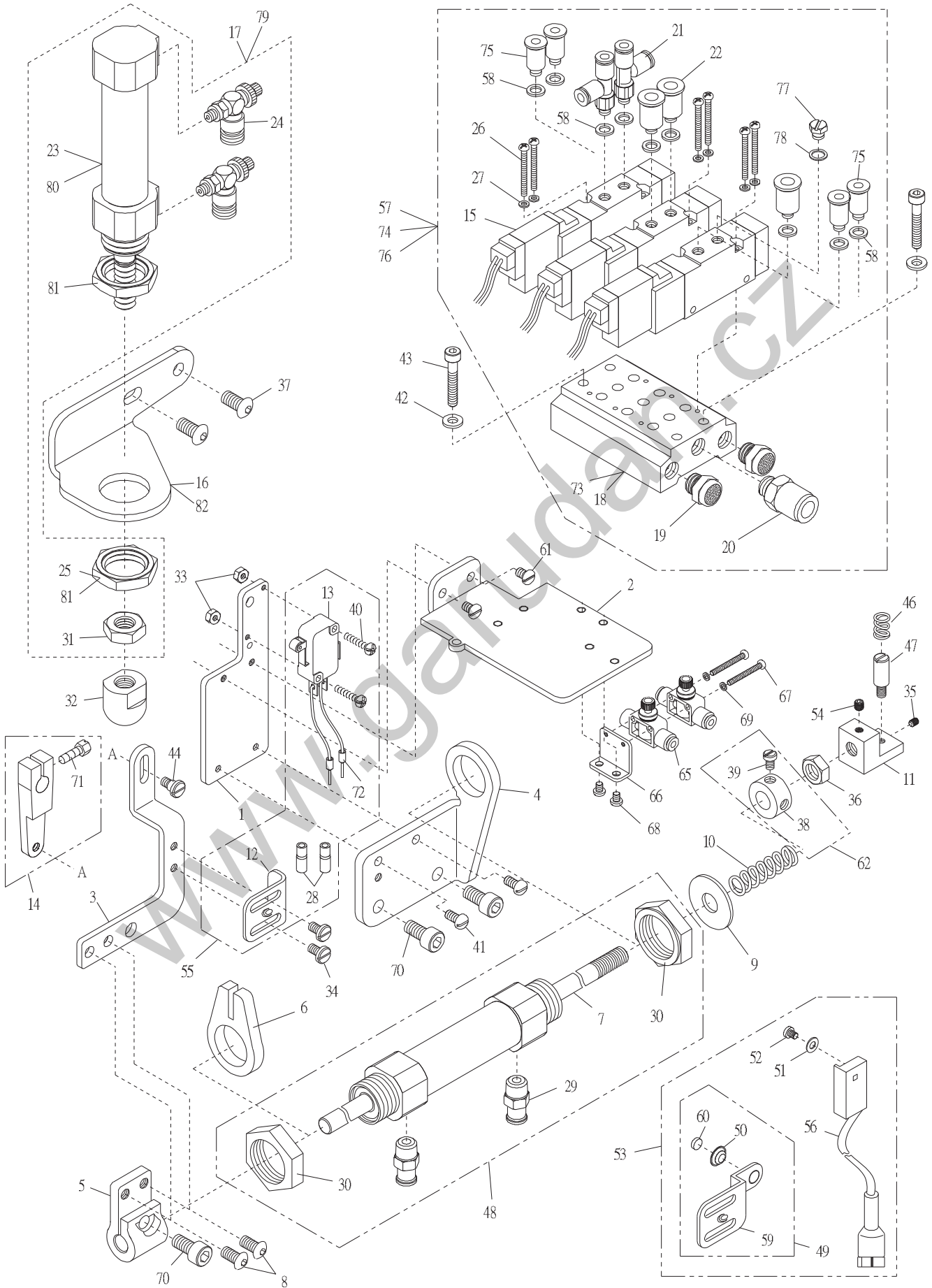
UTB06F / UTC06F : 用於 CTF9611 機型

UTB07 / UTC07 : 用於 CTD9611 機型

UTB07B : 用於 CTD9660 機型

UTB07F / UTC07F : 用於 CTU9611 機型

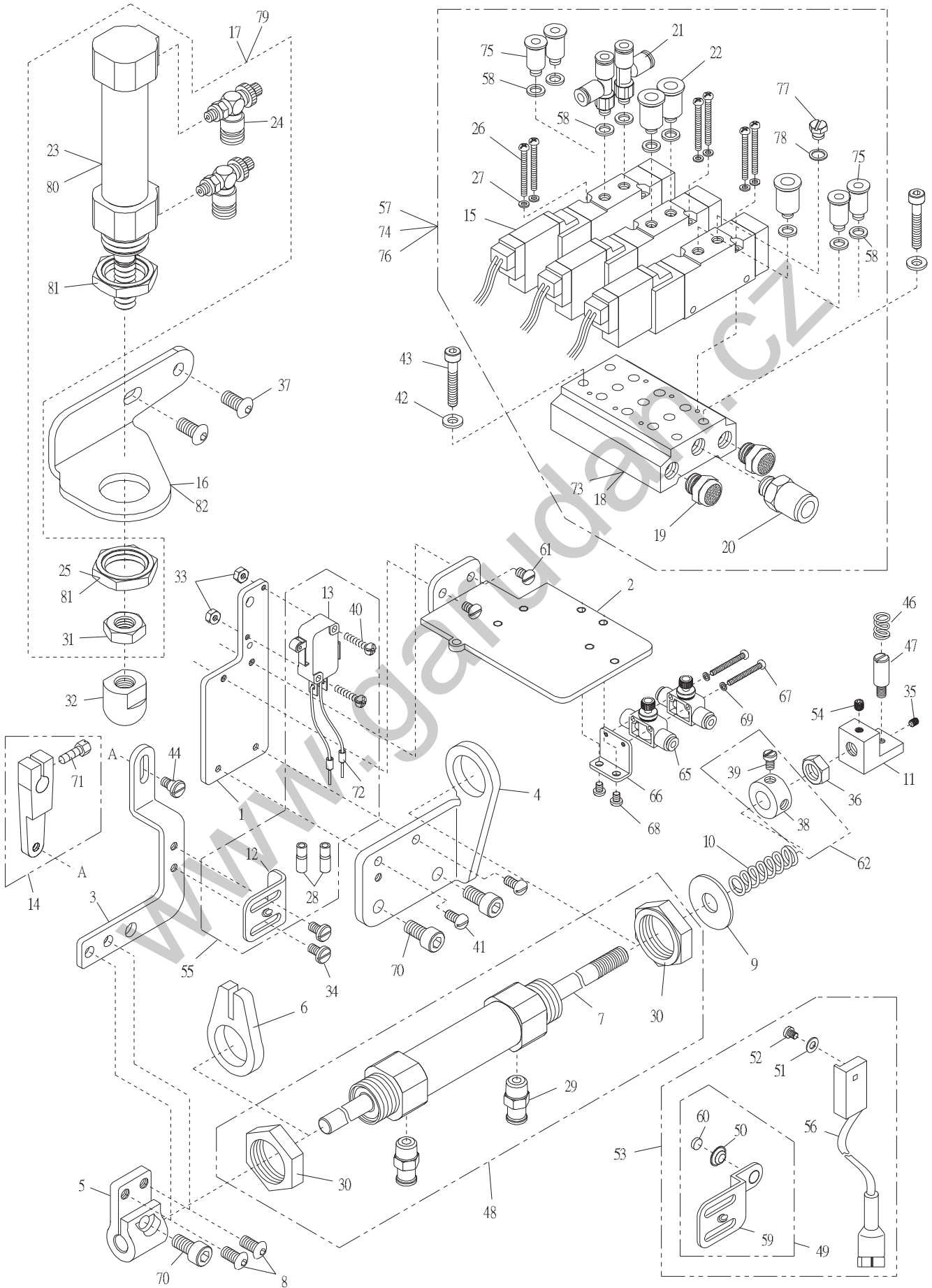
3. UTB02F/UTB06F/UTB03/UTB03F/UTB05/UTB07/UTB07B/UTB07F/UTG02F  
 UTG03/UTG03F/UTH02F/UTH03/UTH03F/UTB08/UTB08B/UTB09/UTB09B  
 UTG08/UTG09/UTH08/UTH09 空壓組件 Compressed Air Components



3. TB02F/UTB06F/UTB03/UTB03F/UTB05/UTB07/UTB07B/UTB07F/UTG02F  
 UTG03/UTG03F/UTH02F/UTH03/UTH03F/UTB08/UTB08B/UTB09/UTB09B  
 UTG08/UTG09/UTH08/UTH09 空壓組件 Compressed Air Components

序號 Ref.No.	圖號 Parts No.	名稱 Description	單位用量 Amt. Req.
1	4UTB0202011	安全開關座 Safety Switch Bracket -----	1
2	4UTG020102	基板 Base -----	1
3	4UTB020203	連桿 Connecting Plate -----	1
4	4UTB020204	氣缸座 Cyliner Bracket-----	1
5	4UTB020205	固定座 Bracket Holder-----	1
6	4UTB0202061	導軌 Yoke Guide -----	1
7	4UTB0202071	氣壓缸 Cylinder -----	1
8	8MP05320810A	螺絲 Screw (STB0117 M5-0.8*8) -----	2
9	2200001510	墊片 Washer -----	1
10	4UTB020210	彈簧 Spring -----	1
11	4UTB020211	承座 Plunger -----	1
12	4UTB020212	擋片 Stopper -----	1
13	4UTB000336	安全開關 Safety Switch -----	1
14	4UTB010337	曲柄 Tension Release lever -----	1
15	4UTB010315	換向閥 Electromagnetic Valve -----	2
16	4UTB030216	固定座 Bracket Holder-----	1
17	4UTB03A0217	氣壓缸組 Cylinder Asm-----	1
18	4UTB010318	換向閥座 Electromagnetic Valve Base -----	1
19	4UTG010319	消音器 Silencer -----	2
20	4UTB020266	空氣管接頭 Elbow Connector -----	1
21	4UTB010311	空氣管接頭 Connector -----	2
22	4UTB010312	空氣管接頭 Connector -----	2
23	4UTB030223	氣壓缸 Cylinder -----	1
24	4UTB000305	節流閥 Speed Controller -----	2
25	8MA22600627A	螺帽 Nut (UTB30225 M22-1.5*6) -----	1
26	4UTB010313	螺絲 Screw (UTB0313 M2.5-0.45*25)-----	4
27	4UTB010314	彈簧墊圈 Spring Washer -----	4
28	4UTB020228	絕緣套管 Bushing -----	2
29	4UTB020229	空氣管接頭 Elbow Connector -----	2
30	8MA20600627A	螺帽 Nut (UTB20230 M20-1.5*6) -----	2
31	8MA10600617A	螺帽 Nut -----	1
32	4PFE010113	套管 Clutch Sleeve -----	1
33	8MA03200306A	螺帽 Nut (FTB0111 M3-0.5*3) -----	2
34	8MB04280507K	螺絲 Screw (FT0235 M4-0.7*5) -----	2
35	8MN03200400A	螺絲 Screw (UH0125 M3-0.5*4) -----	1
36	8MA08500513A	螺帽 Nut (FTC10126 M8-1.25*5)-----	1
37	8MP06401211A	螺絲 Screw (UTB0302 M6-1*12) -----	2
38	4UTB010245	定位環 Collar -----	1
39	8MC95300606F	螺絲 Screw(CT0823 M4.5-0.75*5) -----	1
40	8MC03201606D	螺絲 Screw (UTB03351 M3-0.5*16) -----	2
41	8MB04280807K	螺絲 Screw (CT0215 M4-0.7*8) -----	2
42	90SW040	彈簧墊圈 Spring Washer -----	2
43	8MM04282507B	螺絲 Screw (FT0719 M4-0.7*25) -----	2
44	8MB04280908G	螺樁 Stud (UTB0339 M4-0.7*4) -----	1
45	-----	-----	-
46	2200000816	彈簧 Spring -----	1
47	8MB04280607M	螺樁 Stud (UTC2-01-34 M4-0.7*5.5) -----	1
48	4UTB02A02011	氣壓缸組 Cylinder Asm. -----	1
49	4UTB02A0249	支架組 Knife Holder Bracket Asm -----	1
50	4UTB020250	銅扣 Brass Button -----	1

3. UTB02F/UTB06F/UTB03/UTB03F/UTB05/UTB07/UTB07B/UTB07F/UTG02F  
 UTG03/UTG03F/UTH02F/UTH03/UTH03F/UTB08/UTB08B/UTB09/UTB09B  
 UTG08/UTG09/UTH08/UTH09 空壓組件 Compressed Air Components





3. UTB02F/UTB06F/UTB03/UTB03F/UTB05/UTB07/UTB07B/UTB07F/UTG02F  
 UTG03/UTG03F/UTH02F/UTH03/UTH03F/UTB08/UTB08B/UTB09/UTB09B  
 UTG08/UTG09/UTH08/UTH09 空壓組件 Compressed Air Components

序號 Ref.No.	圖號 Parts No.	名稱 Description	單位用量 Amt. Req.
51	2200001025	墊圈 Washer -----	1
52	8SB44400608K	螺絲 Screw (SH0128 11/64-40*6)-----	1
*53	4UTB02A0253	磁控支架組 Magnetic Type Safety Switch SET. -----	1
54	8MN04280400A	螺絲 Screw (CT0229 M4-0.7*4) -----	1
55	4UTB02A0255	觸控支架組 One Touch Type Safety Switch SET. -----	1
56	4UTB020256	安全開關 Safety Switch -----	1
57	4UTB01A03491	換向閥組 Electromagnetic Valve Asm-----	1
58	4UTB010353	墊圈 Washer -----	4
59	4UTB020259	支架 Knife Holder Bracket -----	1
60	4UTB000444	磁鐵 Magnet -----	1
61	8MB04280607K	螺絲 Screw (MT0233 M4-0.7*6) -----	2
62	4UTB01A0255	定位環組 Collar Asm-----	1
63	-----	-----	-
64	-----	-----	-
65	4WPC000114	節流閥 Speed Controller -----	2
66	4UTB020262	支架 Cylinder Holder Bracket -----	1
67	8MC03203006D	螺絲 Screw (MN0120 M3-0.5*30) -----	2
68	8MB04280507A	螺絲 Screw (UH0917 M4-0.7*4.5) -----	2
69	90SW030	彈簧墊圈 Spring Washer -----	2
70	8MM06401210A	螺絲 Screw (FT1103 M6-1*12) -----	3
71	8MK95301407A	螺絲 Screw (CT0837 M4.5-0.75*14) -----	1
72	4UTB020272	公端子 Power cord -----	2
73	4UTG0103181	換向閥座 Electromagnetic Valve Base -----	1
74	4UTG01A03491	換向閥組 Electromagnetic Valve Asm-----	1
75	4UTH020121	空氣管接頭 Connector -----	4
76	4UTH02A0157	換向閥組 Electromagnetic Valve Asm-----	1
77	4UTG010355	螺絲 Screw(UTG0355 M5-0.8*4) -----	1
78	4UTG010317	墊圈 Washer -----	1
**79	4UTB02FA0217	氣壓缸組 Cylinder Asm-----	1
**80	4UTB02F0223	氣壓缸 Cylinder -----	1
**81	8MA22600630A	螺帽 Nut ( M22-1.5*6 ) -----	2
**82	4UTB02F0216	固定座 Bracket Holder-----	1

\* 選購 To pick and make purchase

\*\* 用於 UTB02F / UTB06F / UTG02F / UTH02F / UTB03F / UTB07F / UTG03F / UTH03F ( CTF / CTU 機型 )

機型 Model UTB02F/UTB06F/UTB03/UTB03F/UTB05/UTB07/UTB07B/UTB07F/UTB08/UTB08B/UTB09/UTB09B  
 ( 2顆換向閥 Electromagnetic Valve 2 pcs.)

序號 Ref.No.	15	18	21	22	26	27	57	58
用量 Req.	2	1	2	2	4	4	1	4

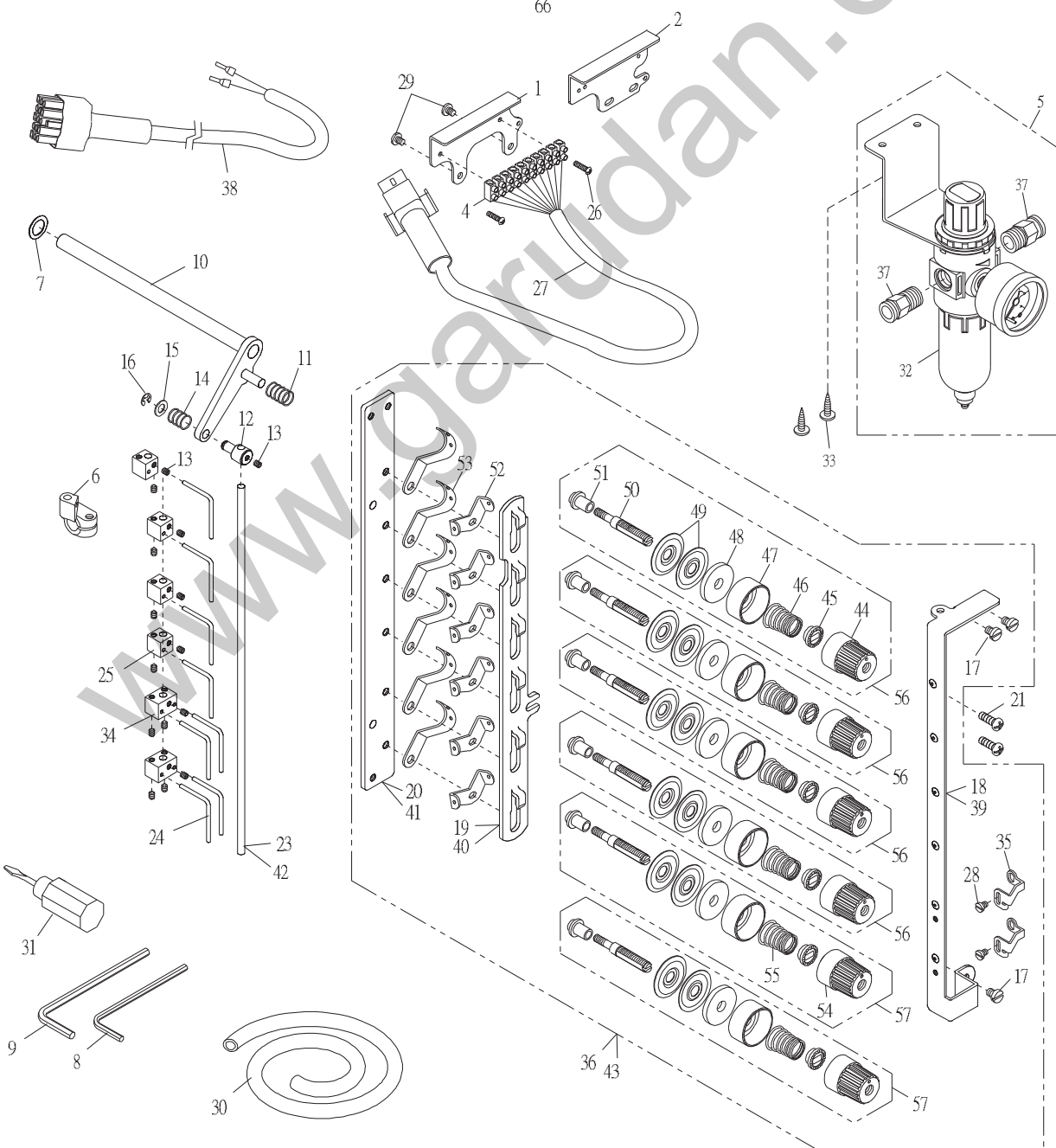
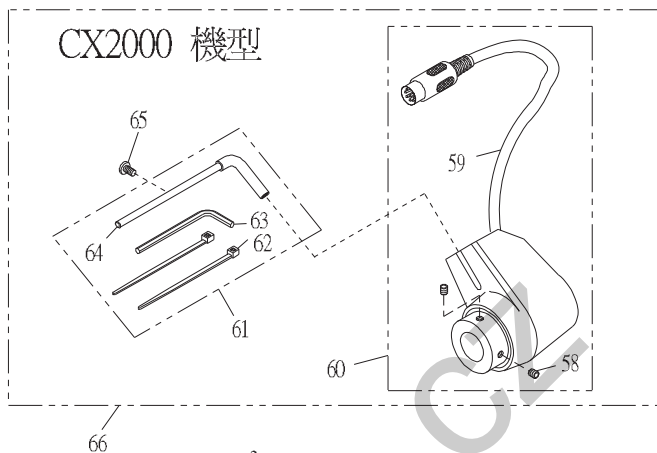
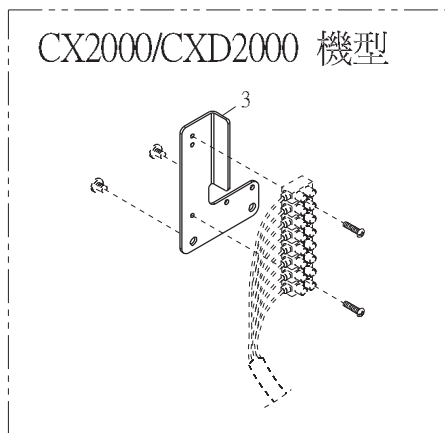
機型 Model UTG02F / UTG03 / UTG03F / UTG08 / UTG09 ( 3顆換向閥 Electromagnetic Valve 3 pcs.)

序號 Ref.No.	15	73	21	22	26	27	74	58	77	78
用量 Req.	3	1	2	3	6	6	1	5	1	1

機型 Model UTH02F / UTH03 / UTH03F / UTH08 / UTH09 ( 3顆換向閥 Electromagnetic Valve 3 pcs.)

序號 Ref.No.	15	73	75	22	26	27	76	58
用量 Req.	3	1	4	2	6	6	1	6

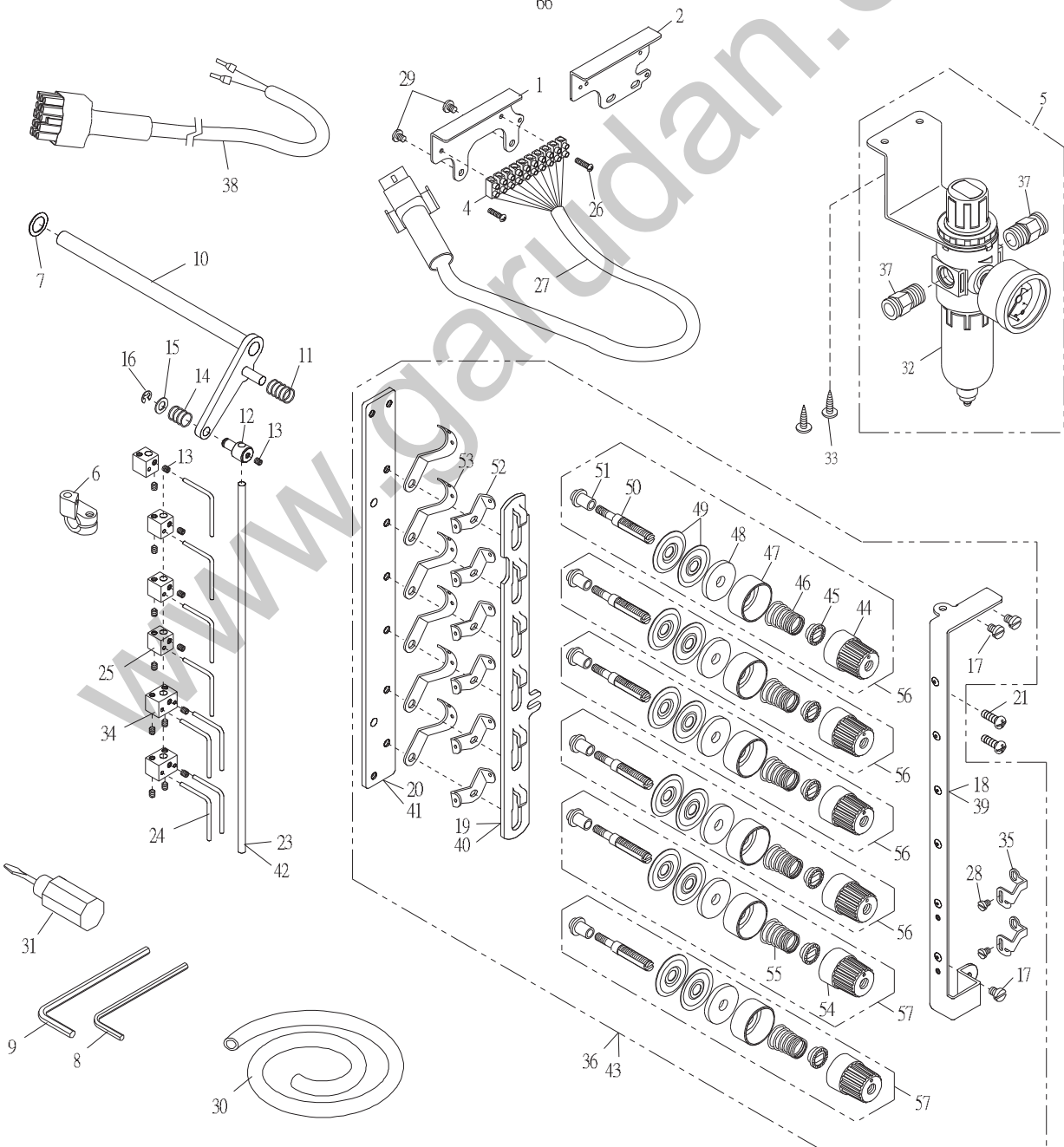
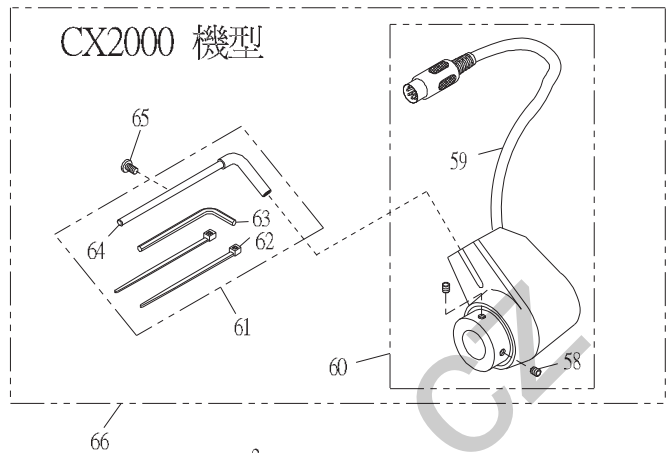
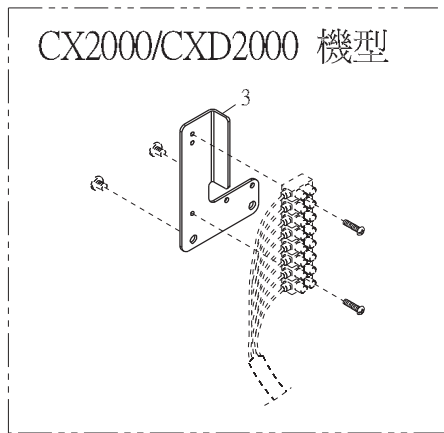
4. UTB03/UTB03F/UTB05/UTB07/UTB07B/UTB07F/UTG03/UTG03F/UTH03/  
 UTH03F/UTB08/UTB08B/UTB09/UTB09B/UTG08/UTG09/UTH08/UTH09 鬆線機構及更換零件  
 Thread Tension Components And Motor Components



4. UTB03/UTB03F/UTB05/UTB07/UTB07B/UTB07F/UTG03/UTG03F/UTH03/  
 UTH03F/UTB08/UTB08B/UTB09/UTB09B/UTG08/UTG09/UTH08/UTH09 鬆線機構及更換零件  
 Thread Tension Components And Motor Components

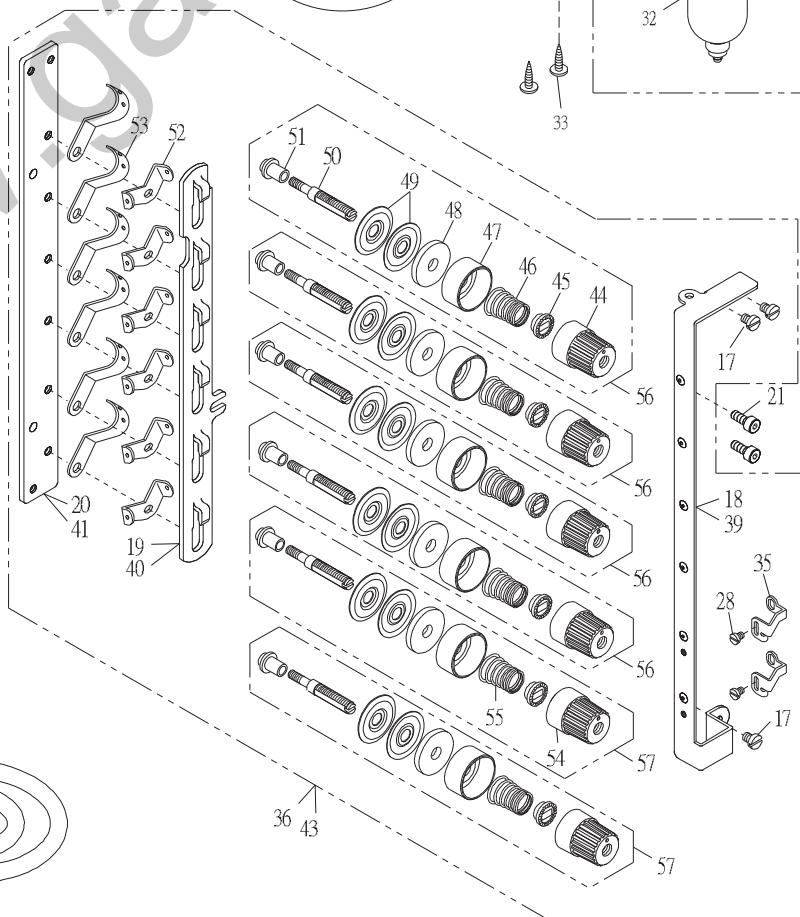
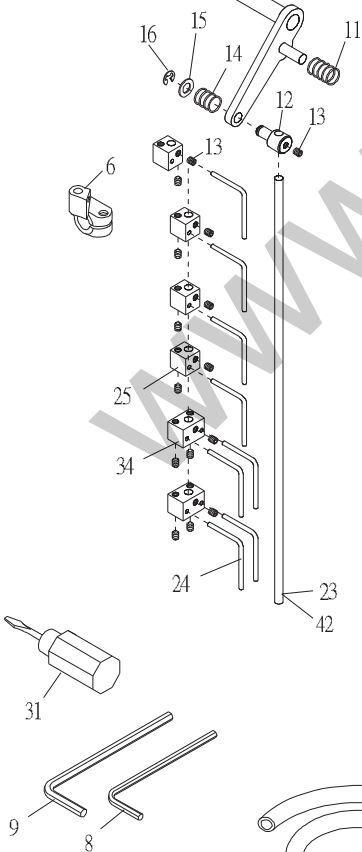
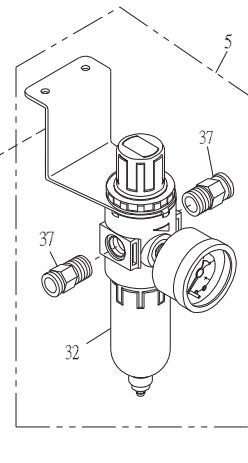
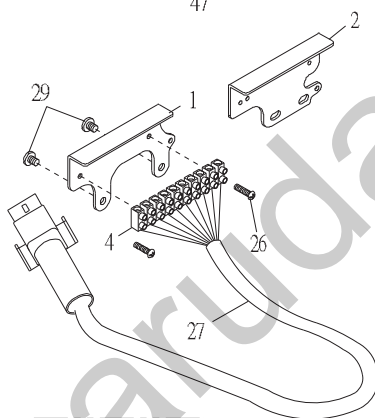
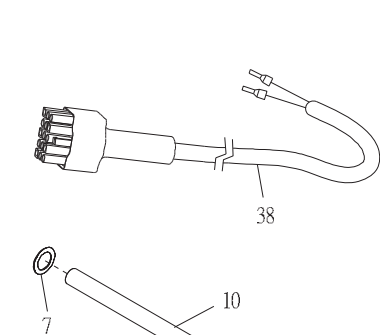
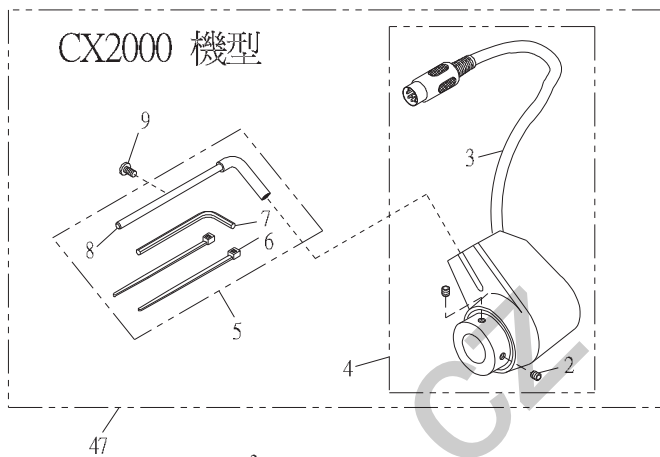
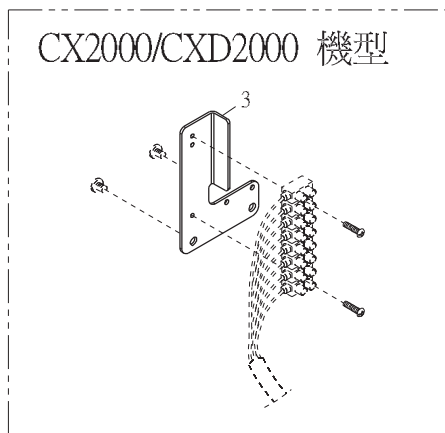
序號	圖號	名稱	單位用量
Ref.No.	Parts No.	Description	Amt. Req.
*1	4UTB000428	端子座固定架 Terminal Holder Support -----	1
**2	4UTB060301	端子座固定架 Terminal Holder Support -----	1
***3	4UTB080301	端子座固定架 Terminal Holder Support -----	1
4	4UTB000457	控制線接頭 Connector-----	1
5	4UTB00A04582	調壓濾水閥組 Regulator Asm.-----	1
△6	4UTB000451	結線鉤座 Looper Holder -----	1
7	4UTB010459	墊片 Clamp Spring Pressure Holder -----	1
8	66635	六角板手 Allen Key 2MM -----	1
9	66640	六角板手 Allen Key 2.5MM -----	1
10	4UTB000410	曲柄 Tension Release Shaft -----	1
11	4UTB000411	彈簧 Spring -----	1
12	4UTB000412	接頭 Pin -----	1
13	8MN03200300A	螺絲 Screw (CT0115 M3-0.5*3) -----	-
14	4UTB000414	彈簧 Spring -----	1
15	2200001025	墊圈 Washer -----	1
16	90ER030	E形扣環 E Ring -----	1
17	8MB04280507K	螺絲 Screw (FT0235 M4-0.7*5) -----	3
18	4UTB000418	導線 Thread Guide Eyelet -----	1
19	4UTB000419	鬆線滑板 Release Wedge -----	1
20	4UTB000420	導線座 Tension Post Support -----	1
21	8MC04281207D	螺絲 Screw (CT0102 M4-0.7*12) -----	2
22		-----	-
23	4UTB000423	導桿 Guide Bar -----	1
24	4UTB000424	鬆線桿 Release Bar -----	-
25	4UTB000425	鬆線座 Thread Pull-off Block -----	-
26	8MC03201006D	螺絲 Screw (UTB0426 M3-0.5*10) -----	2
27	4UTB000427	換向閥用控制線 Terminal Holder -----	1
28	8MB03200306X	螺絲 Screw (UTB0436 M3-0.5*3) -----	2
29	8MB04280608A	螺絲 Screw (UTB0130 M4-0.7*6) -----	2
30	4UTB010430	空氣管 Air Tube -----	1
31	66668	平口起子 Screwdriver -----	1
32	4UTB0004321	調壓濾水閥 Regulator -----	1
33	8WD30000015B	木螺絲Wood Screw -----	2
34	4UTB000434	鬆線座 Thread Pull-off Block -----	-
35	4UTB000435	導線 Thread Guide Eyelet -----	2
36	4UTB02A0349	鬆線組 Theard Tension Mechanism -----	1
37	4UTB010456	8mm 空氣管接頭 Connector -----	2
38	4UTG010462	控制線接頭 Connector-----	1
39	4UTB040318	導線 Thread Guide Eyelet -----	1
40	4UTB040319	鬆線滑板 Release Wedge -----	1
41	4UTB040320	導線座 Tension Post Support -----	1
42	4UTB040323	導桿 Guide Bar -----	1
43	4UTB04A0349	鬆線組 Theard Tension Mechanism -----	1
44	2100001121	張力調整螺帽 Tension Nut ( Red ) ( SH1121) (see the table) -----	-
45	2200000303	套管 Bushing (see the table) -----	-
46	2100001123	彈簧 Spring ( Red ) ( SH1123) (see the table) -----	-
47	2200000305	彈簧座 Spring Seat (see the table) -----	-
48	2100001127	羊毛氈 Felt (see the table) -----	-
49	2100001126	張力控制盤 Tension Disc (see the table) -----	-
50	22000003081	螺樁 Stud (see the table) -----	-

4. UTB03/UTB03F/UTB05/UTB07/UTB07B/UTB07F/UTG03/UTG03F/UTH03/  
 UTH03F/UTB08/UTB08B/UTB09/UTB09B/UTG08/UTG09/UTH08/UTH09 鬆線機構及更換零件  
 Thread Tension Components And Motor Components





4. UTB03/UTB03F/UTB05/UTB07/UTB07B/UTB07F/UTG03/UTG03F/UTH03/  
 UTH03F/UTB08/UTB08B/UTB09/UTB09B/UTG08/UTG09/UTH08/UTH09 鬆線機構及更換零件  
 Thread Tension Components And Motor Components



4. UTB03/UTB03F/UTB05/UTB07/UTB07B/UTB07F/UTG03/UTG03F/UTH03/  
 UTH03F/UTB08/UTB08B/UTB09/UTB09B/UTG08/UTG09/UTH08/UTH09 鬆線機構及更換零件  
 Thread Tension Components And Motor Components

機型 Model UTB05 / UTB07B / UTB08B / UTB09B (4針6線 4 Needle 6 Thread)

針數Number of needle \\序號Ref. No.	13	24	25	34	39	40	41	42	43	44	45	46
4 Needle without Spreader	12pcs.	6pcs.	4pcs.	1pcs.	1	1	1	1	1	4	6	4
4 Needle with Spreader	15pcs.	8pcs.	4pcs.	2pcs.								

針數Number of needle \\序號Ref. No.	47	48	49	50	51	52	53	54	55	56	57
4 Needle without Spreader	6	6	12	6	6	6	6	2	2	4	2
4 Needle with Spreader											

www.garudan.cz





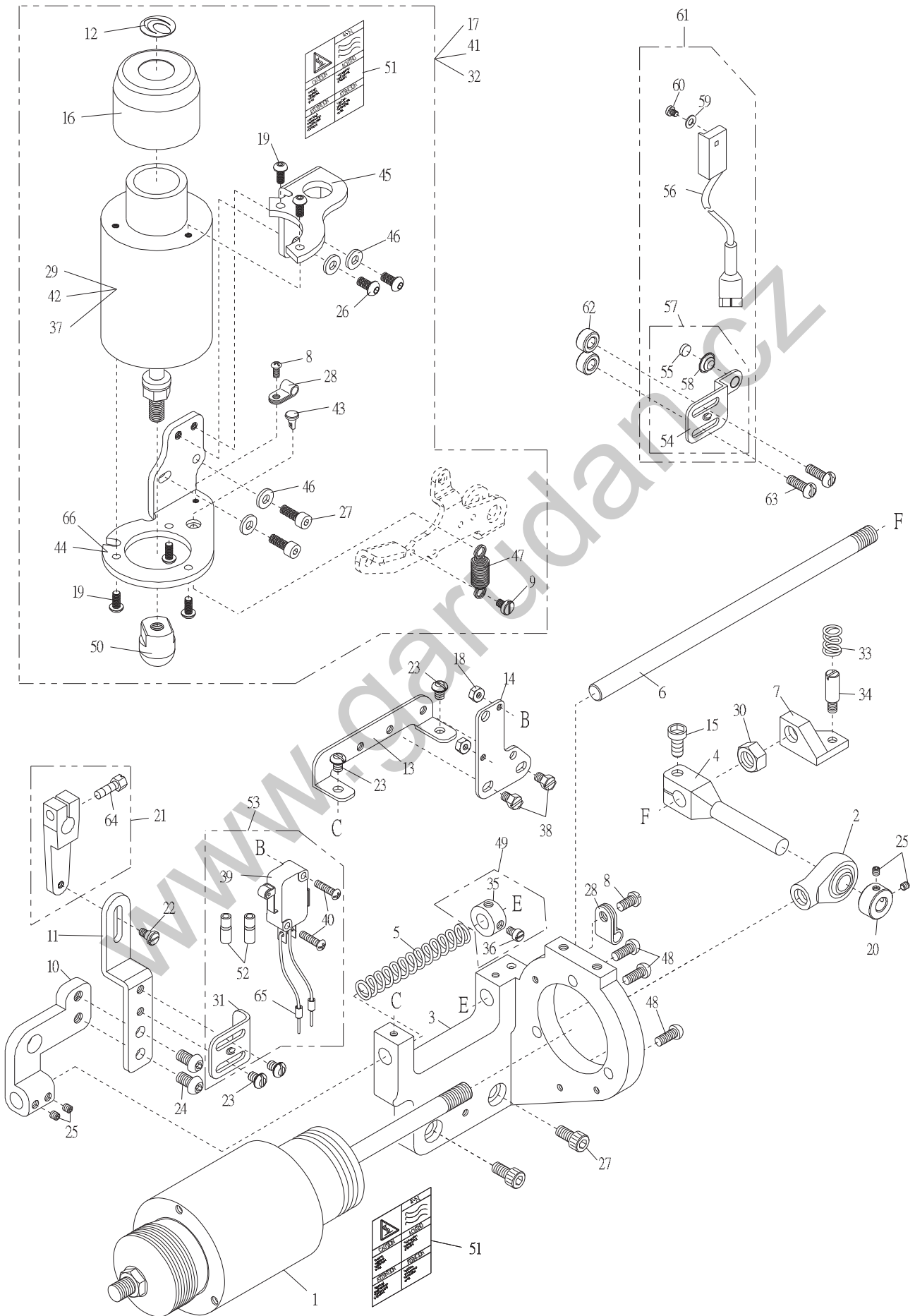
5. UTC03 / UTC03F / UTC04F / UTC06F / UTC07 / UTC07F / UTC08 / UTC09

電控式組件 Electric Type Components

序號 Ref.No.	圖號 Parts No.	名稱 Description	單位用量 Amt .Req.
1	4UTC040201	磁力線圈 Solenoid -----	1
2	4UTC040202	球軸連桿 Plunger Connecting Rod -----	1
3	4UTC0201031	承座 Plunger -----	1
4	4UTC040204	連桿 Connecting Plate -----	1
5	4UTC0201091	彈簧 Spring -----	1
6	4UTC040206	軸 Shaft -----	1
7	4UTC040207	承座 Plunger -----	1
8	8MC04280807D	螺絲 Screw (CT0130 M4-0.7*8) -----	2
9	8MB05320710G	螺絲 Screw (PFE020116 M5-0.8*7) -----	1
10	4UTC0201101	承座 Plunger -----	1
11	4UTC0201111	連桿 Connecting Plate -----	1
12	66480-11	銘板 Plate -----	1
13	4UTC0201131	基板 Base -----	1
14	4UTC0201141	安全開關座 Saftey Switch Bracket -----	1
15	8MM05321409A	螺絲 Screw (CT0632 M5-0.8*14) -----	1
16	4PFE010119	護蓋 Cover -----	1
***17	PFE2F	壓腳提昇組 Presser Foot Lifter,C.Set -----	1
18	8MA03200306A	螺帽 Nut (FTB0111 M3-0.5*3) -----	2
19	8MP05321210A	螺絲 Screw (UTB0340 M5-0.8*11.5) -----	5
20	4UTB010152	定位環 Collar -----	1
21	4UTC020121	曲柄 Tension Release Lever -----	1
22	8MB04280908G	螺樁 Stud (UTB0339 M4-0.7*4) -----	1
23	8MB04280507K	螺絲 Screw (FT0235 M4-0.7*5) -----	4
24	8MP05320810A	螺絲 Screw (STB0117 M5-0.8*8) -----	2
25	8MN04280400A	螺絲 Screw (CT0229 M4-0.7*4) -----	4
26	8MP06401211A	螺絲 Screw (UTB0302 M6-1*12) -----	2
27	8MM06401610A	螺絲 Screw (CT0625 M6-1*16) -----	4
28	4UTD000254	線夾 Cord Clamp -----	2
***29	4PFE2F0118	磁力線圈 Presser Foot Lifter Solenoid -----	1
30	8MA08500613A	螺帽 Nut (RP0208 M8-1.25*6) -----	1
31	4UTB020212	擋片 Stopper -----	1
**32	PFE2P	壓腳提昇組 Presser Foot Lifter,C.Set -----	1
33	2200000816	彈簧 Spring -----	1
34	8MB04280607M	螺樁 Stud (UTC2-01-34 M4-0.7*5.5) -----	1
35	4UTB010245	定位環 Collar -----	1
36	8MC95300606F	螺絲 Screw (CT0823 M4.5-0.75*5) -----	1
**37	4PFE1P0121	磁力線圈 Presser Foot Lifter Solenoid -----	1
38	8MK04280507A	螺絲 Screw (WPC0106 M4-1.7*5) -----	2
39	4UTB000336	安全開關 Saftey Switch -----	1
40	8MC03201606D	螺絲 Screw (UTB03351 M3-0.5*16) -----	2
41	PFE02	壓腳提昇組 Presser Foot Lifter,C.Set -----	1
42	4PFE010101	磁力線圈 Presser Foot Lifter Solenoid -----	1
43	4PFE020102	接頭 Joint -----	1
44	4PFE020103	固定座 Bracket -----	1
45	4PFE020104	固定座 Bracket -----	1
46	2100000323	墊圈 Washer (SH0323) -----	4
47	4PFE010106	彈簧 Spring -----	1
48	8MP05321610A	螺絲 Screw (UTC02-04-74 M5-0.8*16) -----	3
49	4UTB01A0255	定位環組 Collar Asm-----	1
50	4PFE010113	套管 Clutch Sleeve -----	1

\*\*配合RP 使用

5. UTC03 / UTC03F / UTC04F / UTC06F / UTC07 / UTC07F / UTC08 / UTC09  
 電控式組件 Electric Type Components



5. UTC03 / UTC03F / UTC04F / UTC06F / UTC07 / UTC07F / UTC08 / UTC09

電控式組件 Electric Type Components

序號 Ref.No.	圖號 Parts No.	名稱 Description	單位用量 Amt .Req.
51	4UTC000139	貼紙 Paster -----	2
52	4UTB020228	絕緣套管 Bushing -----	2
53	4UTB02A0255	觸控支架組 One Touch Type Safety Switch SET. -----	1
*54	4UTB020259	支架 Knife Holder Bracket -----	1
*55	4UTB000444	磁鐵 Magnet -----	1
*56	4UTB020256	安全開關 Safety Switch -----	1
*57	4UTB02A0249	支架組 Knife Holder Bracket Asm.-----	1
*58	4UTB020250	銅扣 Brass Button -----	1
*59	2200001025	墊圈 Washer -----	1
*60	8SB44400507A	螺絲 Screw -----	1
*61	4UTB02A0253	磁控支架組 Magnetic Type Safety Switch SET. -----	1
*62	2200001141	隔環 Spacer -----	2
*63	8MB04281207K	螺絲 Screw (CT0239 M4-0.7*12) -----	2
64	8MK95301407A	螺絲 Screw (CT0837 M4.5-0.75*14) -----	1
65	4UTB020272	公端子 Power cord -----	2
66	4PFE2F0119	固定座 Bracket -----	1

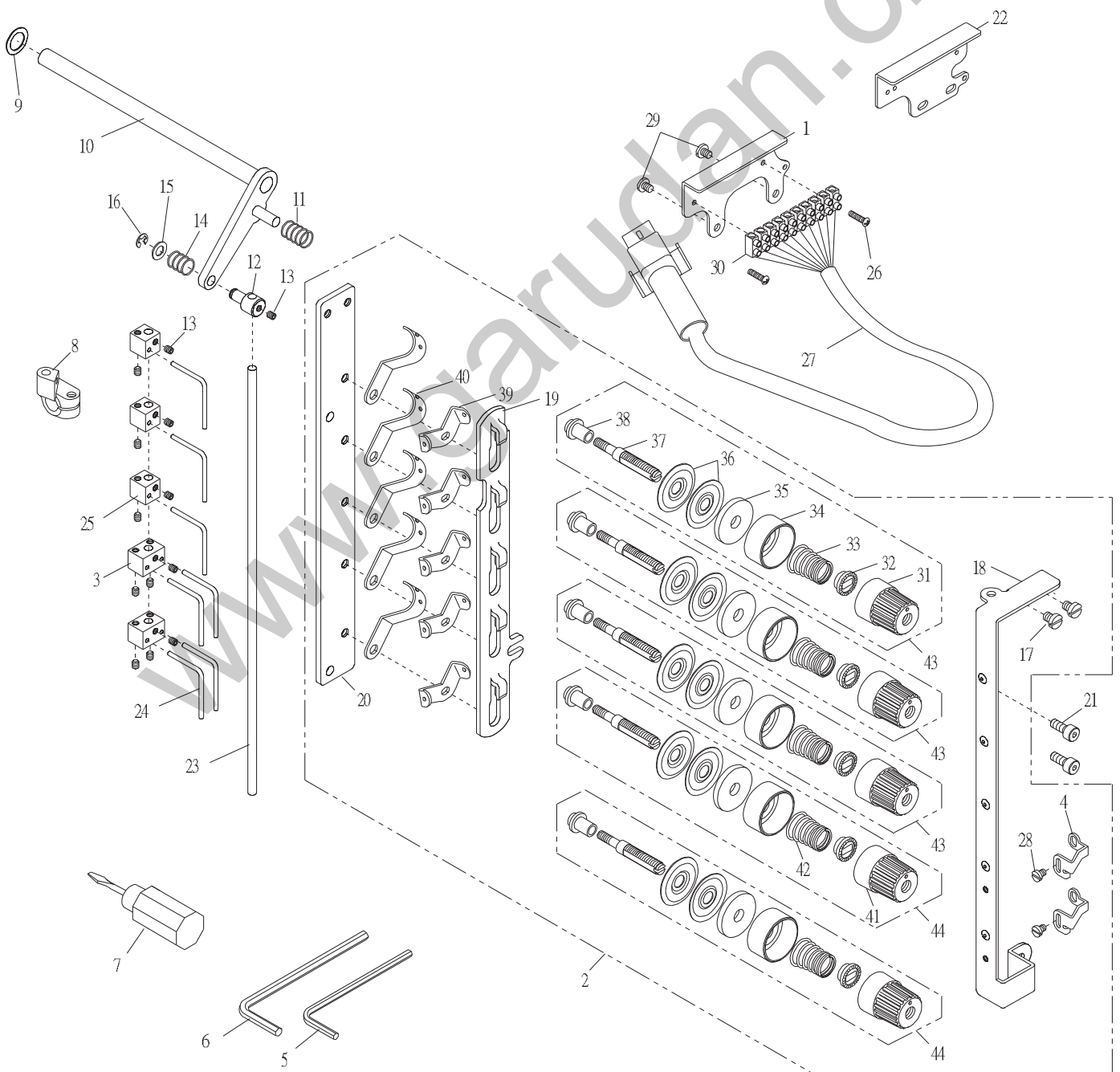
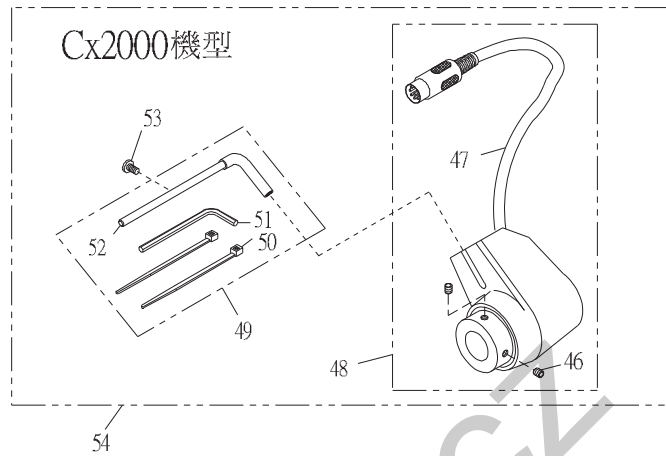
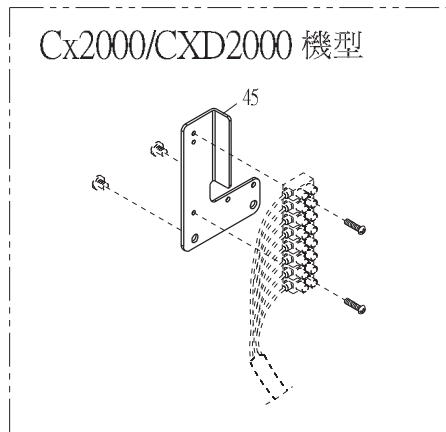
\* 磁控支架組用 For Magnetic Type Safety Switch SET

\*\* 配合RP 使用

\*\*\* UTC03F / UTC04F / UTC06F / UTC07F 用

www.garudan.co

6. UTC03 / UTC03F / UTC07 / UTC07F / UTC08 / UTC09 鬆線機構及更換零件  
 Thread Tension Components And Motor Components

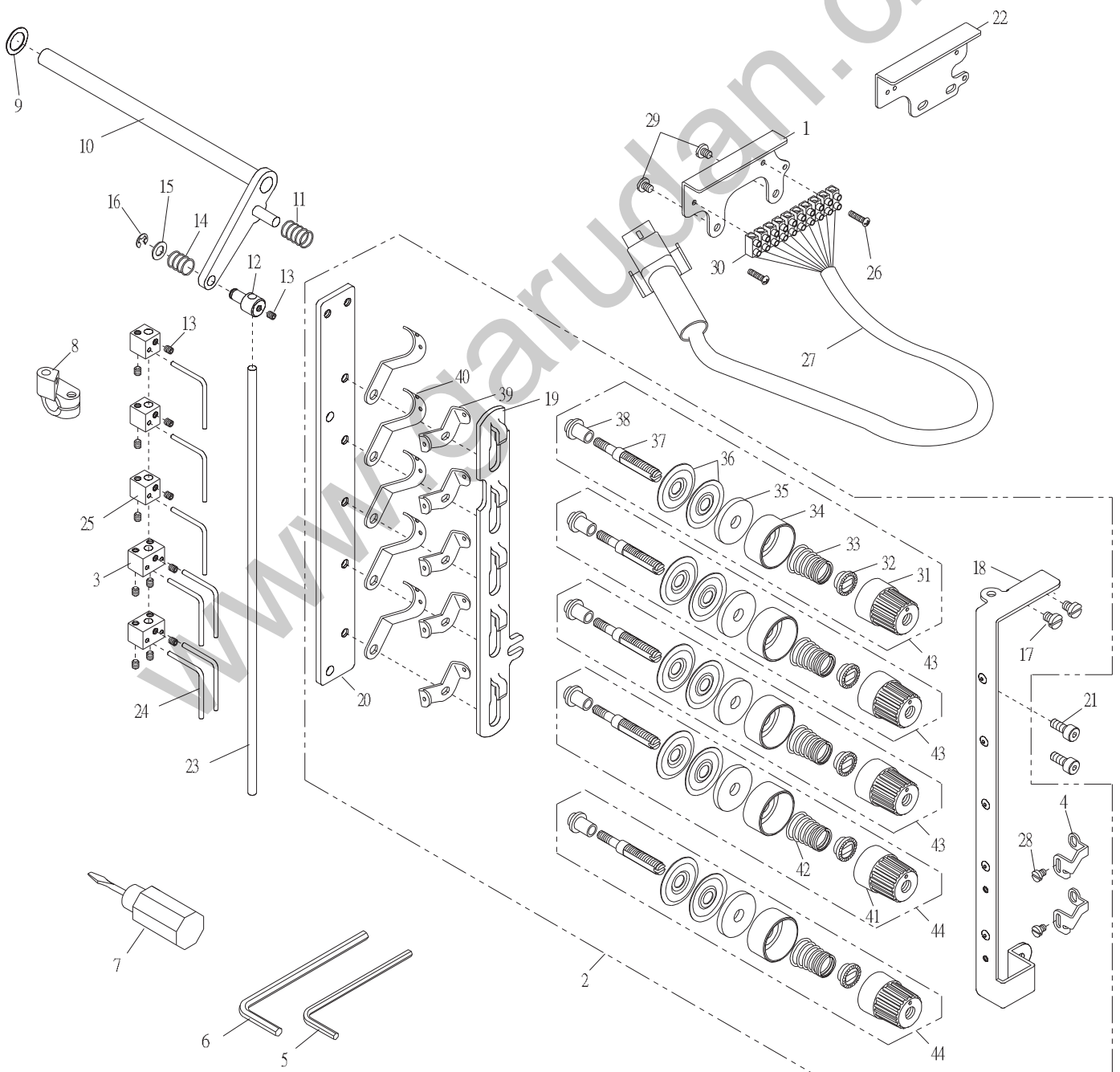
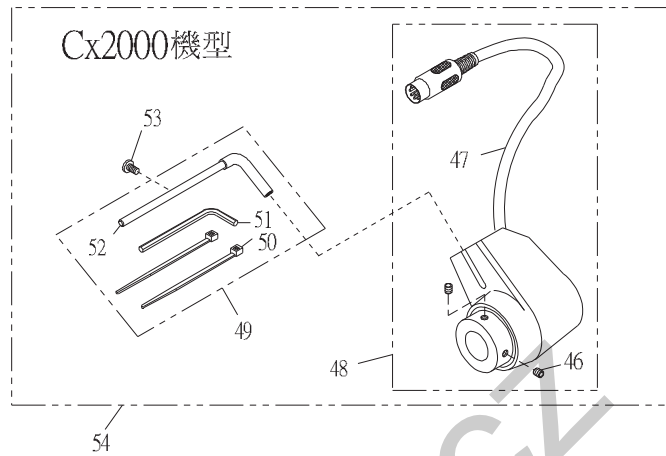
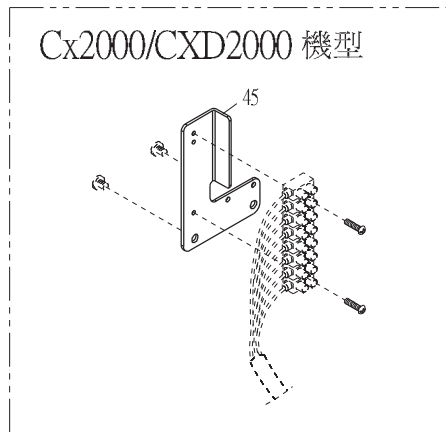


6. UTC03 / UTC03F / UTC07 / UTC07F / UTC08 / UTC09 鬆線機構及更換零件

Thread Tension Components And Motor Components

序號	圖號	名稱	單位用量
Ref.No.	Parts No.	Description	Amt .Req.
*1	4UTB000428	端子座固定架 Terminal Holder Support -----	1
2	4UTB02A0349	鬆線組 Theard Tension Mechanism -----	1
3	4UTB000434	鬆線座 Thread Pull-off Block -----	-
4	4UTB000435	導線 Thread Guide Eyelet -----	2
5	66635	六角板手 Allen Key 2MM -----	1
6	66640	六角板手 Allen Key 2.5MM -----	1
7	66668	平口起子 Screwdriver -----	1
△8	4UTB000451	結線鉤座 Looper Holder -----	1
9	4UTB010459	墊片 Clamp Spring Pressure Holder -----	1
10	4UTB000410	曲柄 Tension Release Shaft -----	1
11	4UTB000411	彈簧 Spring -----	1
12	4UTB000412	接頭 Pin -----	1
13	8MN03200300A	螺絲 Screw (CT0115 M3-0.5*3) (see the table) -----	-
14	4UTB000414	彈簧 Spring -----	1
15	2200001025	墊圈 Washer -----	1
16	90ER030	E形扣環 E Ring -----	1
17	8MB04280507K	螺絲 Screw (FT0235 M4-0.7*5) -----	2
18	4UTB000418	導線 Thread Guide Eyelet -----	1
19	4UTB000419	鬆線滑板 Release Wedge -----	1
20	4UTB000420	導線座 Tension Post Support -----	1
21	8MM04281007A	螺絲 Screw (FT0203 M4-0.7*10) -----	2
**22	4UTB060301	端子座固定架 Terminal Holder Support -----	1
23	4UTB000423	導桿 Guide Bar -----	1
24	4UTB000424	鬆線桿 Release Bar -----	-
25	4UTB000425	鬆線座 Thread Pull-off Block (see the table) -----	-
26	8MC03201006D	螺絲 Screw (UTB0426 M3-0.5*10) (see the table) -----	2
27	4UTB000427	換向閥用控制線 Terminal Holder -----	1
28	8MB03200306X	螺絲 Screw (UTB0436 M3-0.5*3) -----	2
29	8MB04280608A	螺絲 Screw (UTB0130 M4-0.7*6) -----	2
30	4UTB000457	控制線接頭 Connector -----	1
31	2100001121	張力調整螺帽 Tension Nut ( Red ) ( SH1121) -----	3
32	2200000303	套管 Bushing -----	5
33	2100001123	彈簧 Spring ( Red ) ( SH1123) -----	3
34	2200000305	彈簧座 Spring Seat -----	5
35	2100001127	羊毛氈 Felt -----	5
36	2100001126	張力控制盤 Tension Disc -----	10
37	22000003081	螺椿 Stud -----	5
38	22000003091	隔環 Spacer -----	5
39	2200000311	導線 Thread Guide -----	5
40	2200000312	導線 Thread Guide -----	5
41	2100001121A	張力調整螺帽 Tension Nut ( Yellow ) ( SH1121) -----	2
42	2100041131	彈簧 Spring ( Yellow ) ( SH1131) -----	2
43	231A0001922	張力控制組 Tension Asm. ( Red ) -----	3
44	220A0000315	張力控制組 Tension Asm. ( Yellow ) -----	2
***45	4UTB080301	端子座固定架 Terminal Holder Support -----	1
46	8MN06400600A	螺絲 Screw (CT0244 M6-1*6) -----	2
47	4UTB020303	針定位器 Synchronizer -----	1
48	4UTB02A0304	針定位器組 Mount- on Type Synchronizer -----	1
49	4UTB02A0305	止動桿組 Stopper Set Asm. -----	1
50	4UTB020306	束線 Plastic Binding Wire -----	2

6. UTC03 / UTC03F / UTC07 / UTC07F / UTC08 / UTC09 鬆線機構及更換零件  
 Thread Tension Components And Motor Components



6. UTC03 / UTC03F / UTC07 / UTC07F / UTC08 / UTC09 鬆線機構及更換零件

Thread Tension Components And Motor Components

序號	圖號	名稱	單位用量
Ref.No.	Parts No.	Description	Amt .Req.
51	4UTB020307	六角板手 Allen Key 2.5MM -----	1
52	4UTB020308	止動桿 Stopper -----	1
53	8MC04281007A	螺絲 Screw (CT0115 M3-0.5*3) -----	1
◎54	4UTB02A0347	外置式定位器組 Mount- on Type Synchronizer Se t-----	1

\* UTC03 / UTC03F 專用    \*\* UTC07 / UTC07F 專用    \*\*\* UTC08 / UTC09 專用  
 △ UTC03 / UTC03F / UTC08 / UTC09

◎:選購,並須配合伺服馬達使用 <型號 HVP-60,HVP-70,HVP-90 >

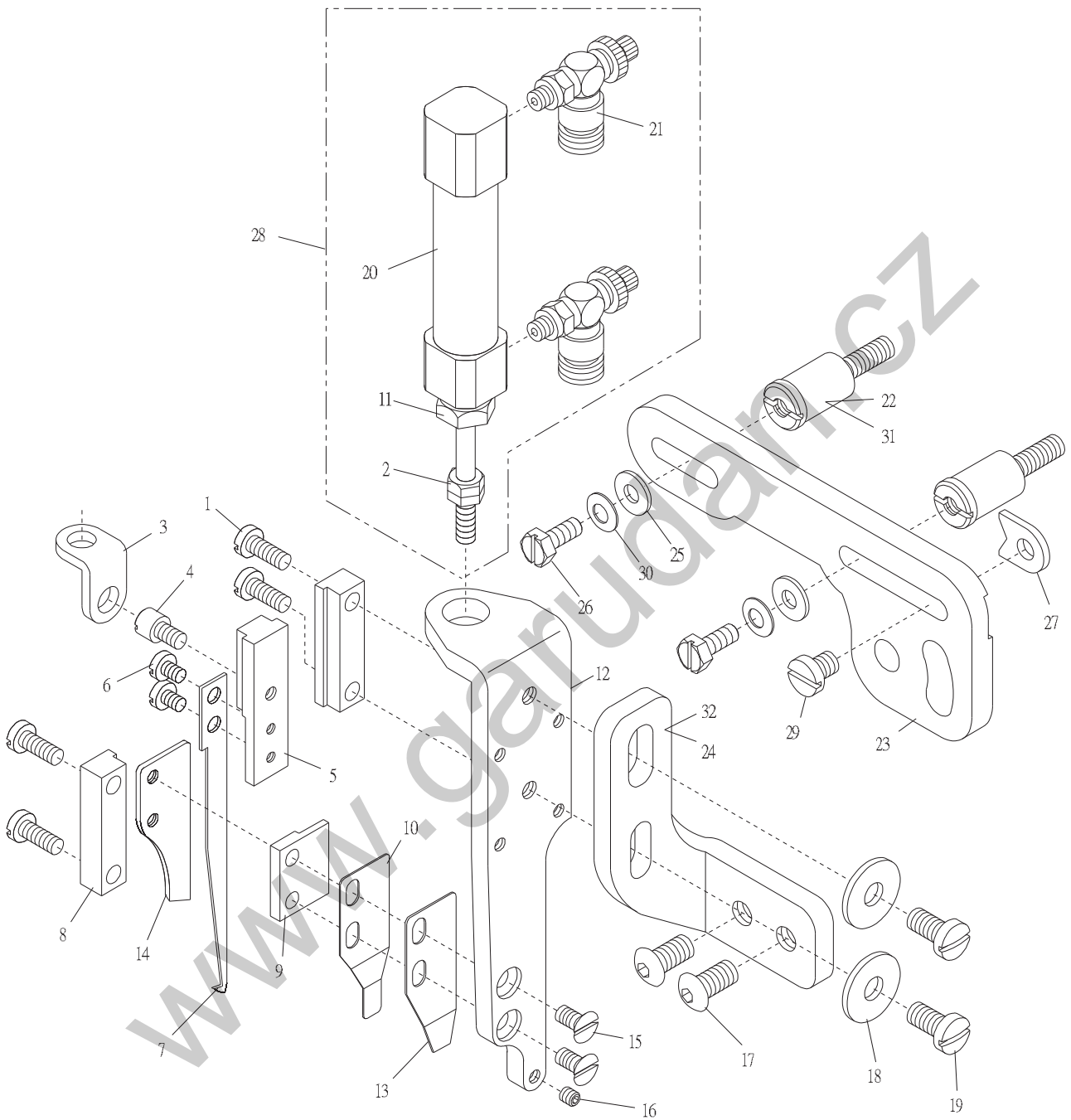
◎:To choose and purchase: These two devices should be used together with AC servo motor  
 <Model No:HVP-60,HVP-70,HVP-90>

Ref. No.	3	13	24	25
2 Needle without Spreader	1pcs.	8pcs.	4pcs.	2pcs.
3 Needle without Spreader	1pcs.	10pcs.	5pcs.	3pcs.
2 Needle with Spreader	2pcs.	11pcs.	6pcs.	2pcs.
3 Needle with Spreader	2pcs.	13pcs.	7pcs.	3pcs.

www.garudan.cz

STB02 / STB03 / STD / STD03 上切線機構

STB02 / STB03 / STD / STD03 Spreaer Thread Trimmer Components





## STB02 / STB03 / STD / STD03 上切線機構

## STB02 / STB03 / STD / STD03 Spreaer Thread Trimmer Components

序號	物料編號	名稱	單位用量
Ref. No.	Parts Number	Description	Amt.Req.
1	8MB03200806K	螺絲 Screw (CT0623 M3-0.5*8)-----	4
2	8MA04280307A	螺帽 Nut (CT0238 M4-0.7*3)-----	2
3	4STB000103	接頭 Joint -----	1
4	8MB03200505A	螺椿 Stud (STB0104 M3-0.5*5)-----	1
5	4STB000105	活動刀座 Upper Movable Knife Base -----	1
6	8MB75180205A	螺絲 Screw (UTB0113 M2.5-0.45*3)-----	2
7	4STB000107	活動刀 Upper Movable Knife -----	1
8	4STB000108	滑道 Slide Block -----	2
9	4STB000109	滑道 Knife Guide -----	1
10	4STB000110	簧片 Thread Clamp Spring-----	1
11	8MA08400311A	螺帽 Nut (UTA0318)-----	1
12	4STB000112	氣缸座 Cylinder Holder -----	1
13	4STB000113	簧片 Knife Pressure Spring -----	1
14	4STB000114	固定刀片 Fixed Knife -----	1
15	8ME03200906A	螺絲 Screw (STB0115 M3-0.5*7)-----	2
16	8MN03200500A	螺絲 Screw (RP10331 M3-0.5*5)-----	1
17	8MP05320810A	螺絲 Screw (STB0117 M5-0.8*8)-----	2
18	2200000908	墊圈 Washer -----	2
19	8MC04280807A	螺絲 Screw (CT0120 M4-0.7*8)-----	2
20	4STB000120	氣壓缸 Cylinder-----	1
21	4STB000121	節流閥 Speed Controller -----	2
*22	4STB020122	螺椿 Stud -----	2
23	4STB020123	支架 Knife Holder Bracket -----	1
***24	4STB000124	支架 Knife Holder Bracket -----	1
25	2100000223	墊圈 Spring Washer -----	2
26	8MK04281007A	螺絲 Screw (FT0217 M4-0.7*10)-----	2
27	4STB020127	定位塊 Knock Block -----	1
28	4STB00A0127	氣壓缸組 Cylinder Asm.-----	1
29	8MB04280508A	螺絲 Screw (UTB20127 M4-0.7*5.5)-----	1
30	90DW040	碟形墊圈 Disk Washer -----	2
**31	4STB030122	螺椿 Stud -----	2
***32	4STD000124	支架 Knife Holder Bracket -----	1

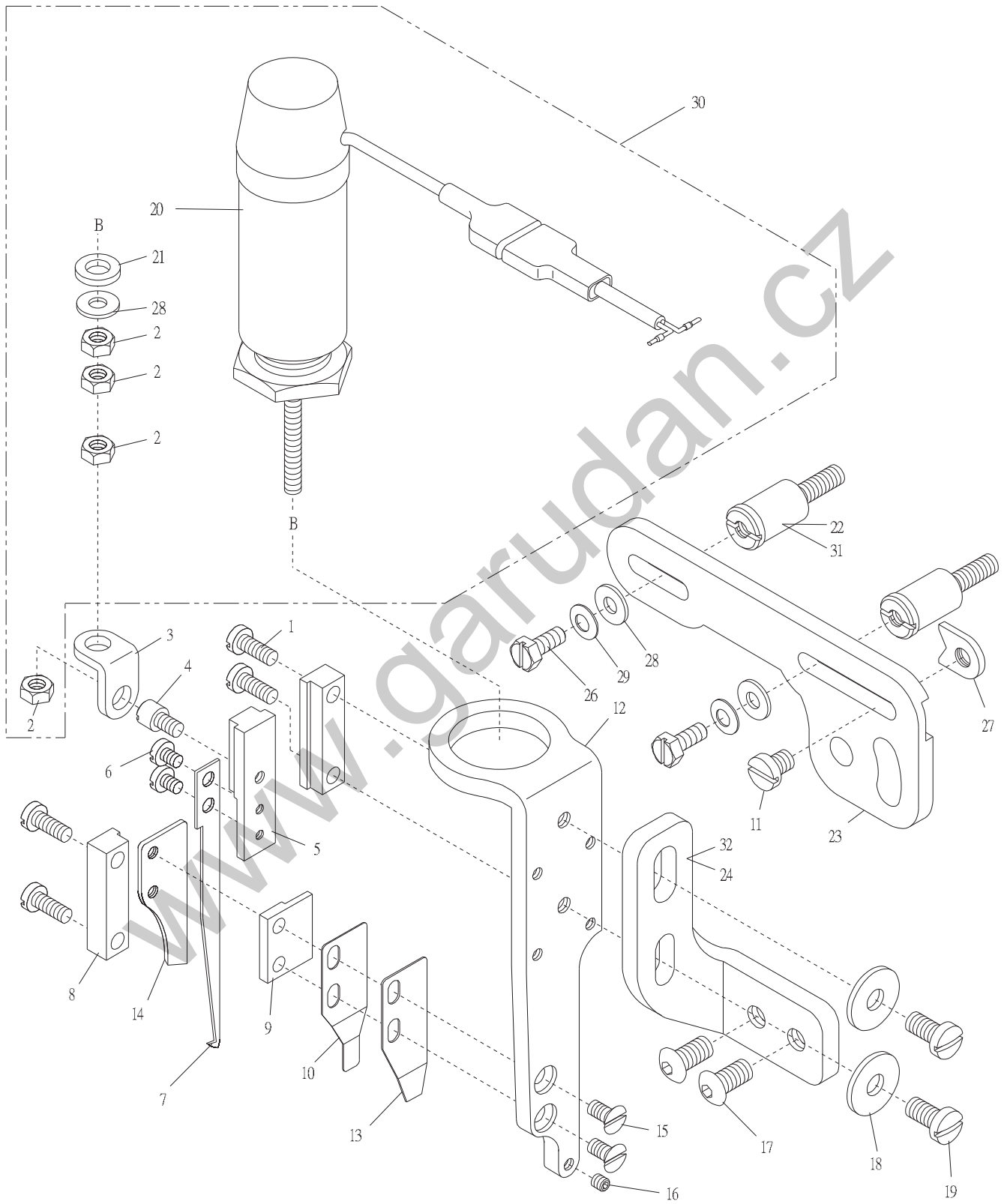
\* 為 STB02 / STD 專用 (CT6500 / CT9000 / CT9611 / FT6500 / FT7000 機型用)

\*\* 為 STB03 / STD03 專用 (CTD9000 / CTD9611 / FTD7000 機型用)

\*\*\* 為 STB02 / STB03 專用 (CT6500 / CT9000 / CTD9000 / CT9611 機型用)

\*\*\*\* 為 STD / STD03 專用 (Ft6500 / FT7000 / FTD7000 機型用)

STC02 / STC03 / STE / STE03 上切線機構  
STC02 / STC03 / STE / STE03 Spreader Thread Trimmer Components



## STC02 / STC03 / STE / STE03 上切線機構

## STC02 / STC03 / STE / STE03 Sprear Thread Trimmer Components

序號	物料編號	名稱	單位用量
Ref. No.	Parts Number	Description	Amt. Req.
1	8MB03200806K	螺絲 Screw (CT0623 M3-0.5*8)-----	4
2	8MA04280207A	螺帽 Nut (STC020102 M4-0.7*2.5)-----	4
3	4STB000103	接頭 Joint -----	1
4	8MB03200505A	螺樁 Stud (STB0104 M3-0.5*5) -----	1
5	4STB000105	活動刀座 Upper Movable Knife Base -----	1
6	8MB75180205A	螺絲 Screw (UTB0113 M2.5-0.45*2)-----	2
7	4STB000107	活動刀片 Upper Movable Knife -----	1
8	4STB000108	滑道 Slide Block -----	2
9	4STB000109	滑道 Knife Guide -----	1
10	4STB000110	簧片 Thread Clamp Spring -----	1
11	8MB04280507K	螺絲 Screw (FT0235 M4-0.7*5)-----	1
12	4STC000112	磁力線圈座 Solenoid Bracket -----	1
13	4STB000113	簧片 Knife Pressure Spring -----	1
14	4STB000114	固定刀片 Fixed Knife -----	1
15	8ME03200906A	螺絲 Screw (STB0115 M3-0.5*7) -----	2
16	8MN03200500A	螺絲 Screw (RP10331 M3-0.5*5)-----	1
17	8MP05321210A	螺絲 Screw (UTB0340 M5-0.8*11) -----	2
18	2200000908	墊圈 Washer -----	2
19	8MC04280807A	螺絲 Screw (CT0120 M4-0.7*8)-----	2
20	4STC0201201	磁力線圈 Solenoid -----	1
21	4STC000121	減震墊 Rubber Cushion -----	1
*22	4STB020122	螺樁 Stud -----	2
23	4STB020123	支架 Knife Holder Bracket -----	1
***24	4STB000124	支架 Knife Holder Bracket -----	1
25	-----	-----	-
26	8MK04281007A	螺絲 Screw (FT0217 M4-0.7*10) -----	2
27	4STB020127	定位塊 Knock Block -----	1
28	2100000223	墊圈 Spring Washer -----	3
29	90DW040	碟形墊圈 Disk Washer -----	2
30	4STC02A0130	磁力線圈組 Solenoid Asm. -----	1
**31	4STB030122	螺樁 Stud -----	2
****32	4STD000124	支架 Knife Holder Bracket -----	1

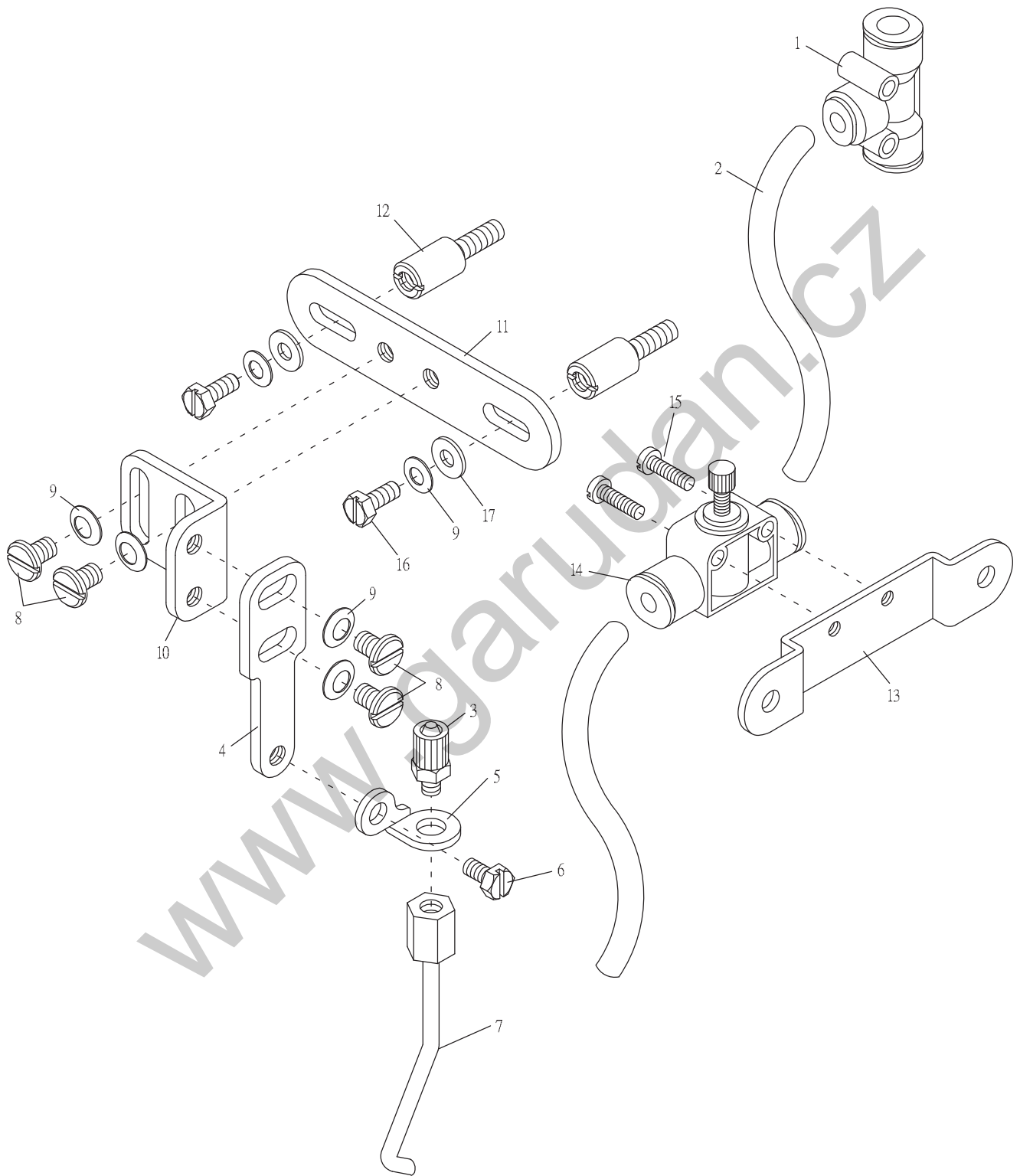
\* 為 STC02 / STE 專用 (CT6500 / CT9000 / CT9611 / FT6500 / FT7000 機型用)

\*\* 為 STC03 / STE03 專用 (CTD9000 / CTD9611 / FTD7000 機型用)

\*\*\* 為 STC02 / STE03 專用 (CT6500 / CT9000 / CTD9000 / CT9611 機型用)

\*\*\*\* 為 STE / STE03 專用 (FT6500 / FT7000 / FTD7000 機型用)

WPC /WPC02 吹氣式撥線裝置 WPC /WPC02 Air-Wipe Components



WPC /WPC02 吹氣式撥線裝置 WPC /WPC02 Air-Wipe Components

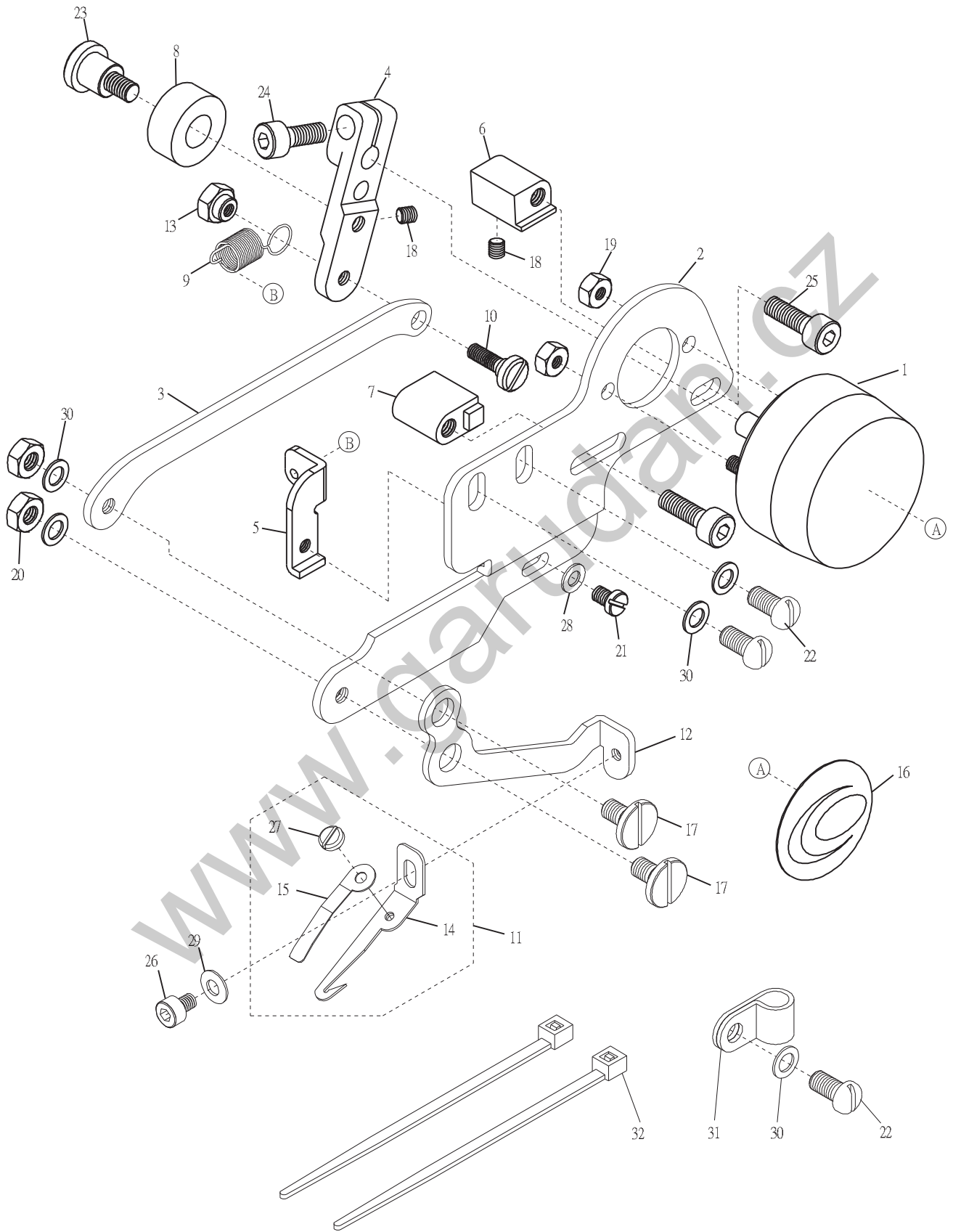
序號	物料編號	名稱	單位用量
Ref. No.	Parts Number	Description	Amt.Req.
1	4WPC000101	T 型管接頭 T Connector -----	1
2	4WPC000102	空氣管 Air Tube -----	2
3	4WPC000103	接頭 Controller -----	1
4	4WPC000104	支持臂 Holder Arm -----	1
5	4WPC000105	支架 Holder Bracket -----	1
6	8MK04280507A	螺絲 Screw (WPC0106 M4-0.7*5) -----	1
7	4WPC000107	吹氣管 Blow Tube -----	1
8	8MB04280608A	螺絲 Screw (UTB0130 M4-0.7*6) -----	6
9	90DW040	盂型墊圈 Dick Washer -----	6
10	4WPC000110	基板座 Connecting Bracket -----	1
11	4WPC000111	支架 Knife Holder Bracket -----	1
12	4STB020122	螺樁 Stud -----	2
13	4WPC000113	支架 Holder Bracket -----	1
14	4WPC000114	節流閥 Speed Controller -----	1
15	8MC03201606D	螺絲 Screw (UTB03351 M3-0.5*16) -----	2
16	8MK04281007A	螺絲 Screw (FT0217 M4-0.7*10)-----	2
17	90PW040	墊圈 Spring Washer -----	2
**18	4STB030122	螺樁 Stud -----	2

\* : WPC 用

\*\* : WPC02 用 (CTD9000 / CTD9611 / FTD7000 機型)

www.garudan.com

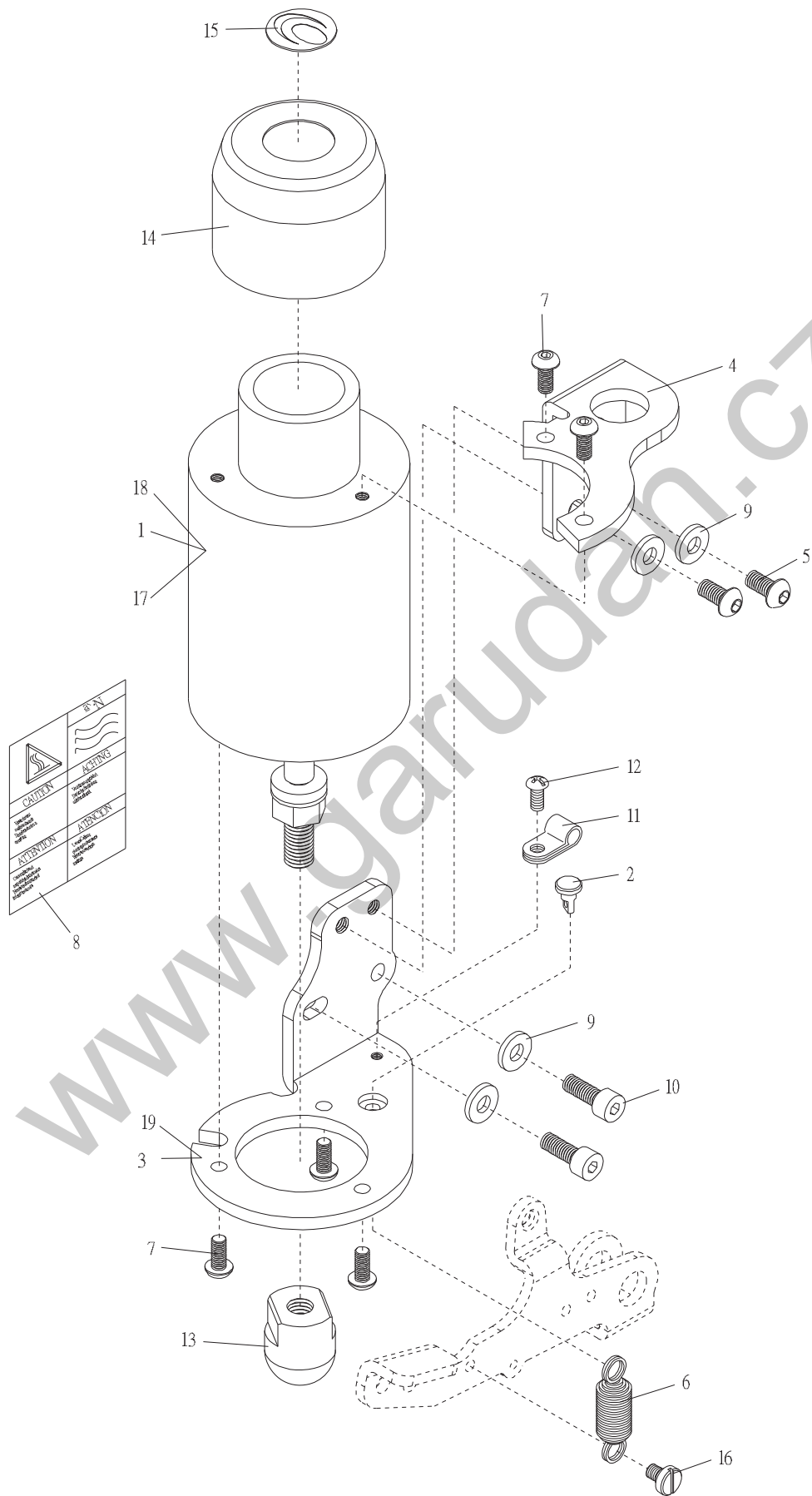
WPG01 電控式撥線裝置 WPG01 Thread-Wipe Components



## WPG01 電控式撥線裝置 WPG01 Thread-Wipe Components

序號 Ref. No.	物料編號 Parts Number	名稱 Description	單位用量 Amt. Req.
1	4WPG010101	磁力線圈 Wiper Solenoid -----	1
2	4WPG0101021	支架 Solenoid Support -----	1
3	4WPG0101031	連桿 Arm -----	1
4	4WPG010104	驅動臂 Driving Lever -----	1
5	4WPG010105	支架 Solenoid Support -----	1
6	4WPG010106	限動塊 Stop Block -----	1
7	4WPG010107	限動塊 Stop Block -----	1
8	4WPG010108	減震墊 Rubber cushion -----	1
9	4WPG010109	彈簧 Spring -----	1
10	4WPG010110	螺樁 Stud ( WPG0110) -----	1
11	4WPG01A0111	抓線鉤組 Hook Asm -----	1
12	4WPG0101121	連桿 Arm -----	1
13	4WPG010113	螺帽 Nut -----	1
14	4WPG010114	抓線鉤 Hook -----	1
15	4WPG010115	夾簧 Latch Spring -----	1
16	66480-18	銘板 Plate -----	1
17	8MB04280810G	螺樁 Stud (WPG0117) -----	2
18	8MN03200300A	螺絲 Screw (CT0115 M3-0.5*3) -----	2
19	8MA03200306A	螺帽 Nut (FTB0111 M3-0.5*3) -----	2
20	8MA04280307A	螺帽 Nut (CT0238 M4-0.7*3) -----	2
21	8MB03200606K	螺絲 Screw (CT1207 M3-0.5*6) -----	1
22	8MB04280807K	螺絲 Screw (CT0215 M4-0.7*8) -----	3
23	8MB04281210E	螺樁 Stud ( WPG0123) -----	1
24	8MM04281007A	螺絲 Screw (FT0203 M4-0.7*10) -----	1
25	8MM04281207A	螺絲 Screw (CT0202 M4-0.7*12) -----	2
26	8MM03200406A	螺絲 Screw (WPB0116 M3-0.5*4) -----	1
27	8SB24560205A	螺絲 Screw (SH1011 3/32"-56*2) -----	1
28	90PW030	墊圈 Washer -----	1
29	90DW030	碟形墊圈 Disk Washer -----	1
30	90DW040	碟形墊圈 Disk Washer -----	5
31	4UTD000254	線夾 Cord Clamp -----	1
32	4UTB020306	束線 Plastic Binding Wire -----	2

PFE02 / PFE2F / PFE2P 壓腳提昇裝置 PFE02 / PFE2F / PFE2P Presser Foot Lifter





PFE02 / PFE2F / PFE2P 壓腳提昇裝置 PFE02 / PFE2F / PFE2P Presser Foot Lifter

序號	物料編號	名稱	單位用量
Ref. No.	Parts Number	Description	Amt.Req.
1	4PFE010101	磁力線圈 Presser Foot Lifter Solenoid -----	1
2	4PFE020102	接頭 Joint -----	1
3	4PFE020103	固定座 Bracket -----	1
4	4PFE020104	固定座 Bracket -----	1
5	8MP06401211A	螺絲 Screw (UTB0302 M6-1*12) -----	2
6	4PFE010106	彈簧 Spring -----	1
7	8MP05321210A	螺絲 Screw (UTB0340 M5-0.8*11) -----	5
8	4UTC000139	貼紙 Paster -----	1
9	2100000323	墊圈 Washer(SH0323) -----	4
10	8MM06401610A	螺絲 Screw (CT0625 M6-1*16)-----	2
11	4UTD000254	線夾 Cord Clamp -----	1
12	8MC04280807D	螺絲 Screw (CT0130 M4-0.7*8) -----	1
13	4PFE010113	套管 Clutch Sleeve -----	1
14	4PFE010119	護蓋 Cover -----	1
15	66480-11	銘板 Plate -----	1
16	8MB05320710G	螺絲 Screw (PFE020116 M5-0.8*7) -----	1
*17	4PFE1P0121	磁力線圈 Presser Foot Lifter Solenoid -----	1
**18	4PFE2F0118	磁力線圈 Presser Foot Lifter Solenoid -----	1
**19	4PFE2F0119	固定座 Bracket -----	1

\* PFE2P 用(用於切線+RP之機型)

\*\* PFE2F 用(用於切線 CTF9011 / CTF9611 / CTU9011 / CTU9611 之機型)

www.garudan.com